

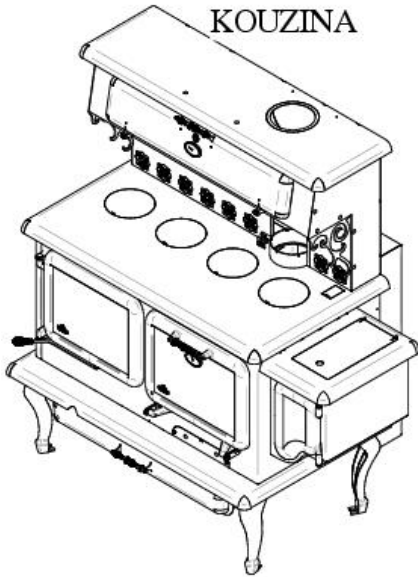


Warmth from the heart of J.A.ROBY INC.

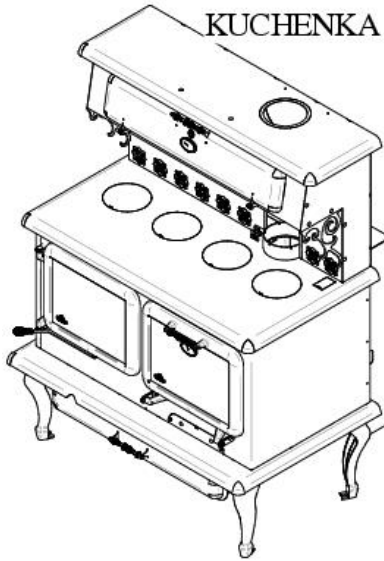
PLEASE READ CAREFULLY AND KEEP THIS MANUAL FOR FUTURE REFERENCE

Instruction Manual

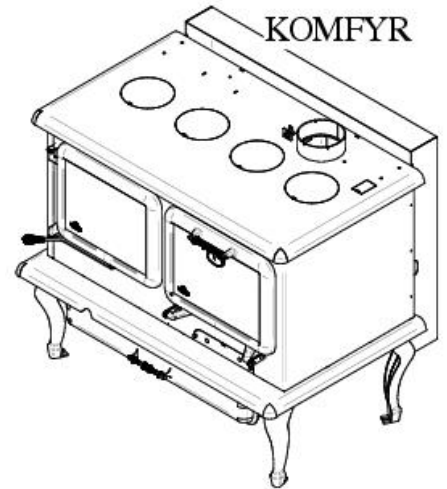
KOUZINA-KUCHENKA-KOMFYR



KOUZINA



KUCHENKA



KOMFYR

YOU CAN CONSULT A PROFESSIONAL INSTALLER OR ASK FIRE OFFICIALS OR LOCAL AUTHORITY ABOUT RESTRICTION AND INSTALLATION INSPECTION IN YOUR AREA.

NATIONAL FIREPLACE INSTITUTE
NFI
CERTIFIED
www.nficertified.org

We recommend that our woodburning hearth products be installed and serviced by professionals who are certified in the U.S. by the National Fireplace Institute® (NFI) as NFI Woodburning Specialists or who are certified in Canada by Wood Energy Technical Training (WETT).

Wood Energy Technical Training
www.wettinc.ca



Intertek

Certified to
ULC S627, UL 1482
ASTM E3053, ASTM 2515
CSA B415.1
2020 U.S. Environmental Protection Agency's cord wood emission standard

490, rue de l'Argon, Quebec (Quebec) Canada G2N 2C9
Phone.: 418-849-8095 Fax: 418-849-0077
www.jaroby.com

TABLE OF CONTENT

Introduction.....	3	Stainless steel tubes Installation	21
BTU & Efficiency Specifications	3	How to install tubes	21
Efficiency	3	Operating Instructions	22
Warning	3	Operating instruction according to ALT-125, ASTM E3053, cordwood	22
Rating plate	4	High burn rate.....	22
Appliance dimensions	5	Medium burn rate	22
Specification	6	Low burn rate	22
Installation	7	Control of primary and secondary air admission	22
Floor protection	7	Lightning fire	22
Minimum dimension of floor protection plate	7	First fire.....	23
Clearances chart on floor plate.....	7	Keeping a fire.....	23
Minimum clearances to combustible material	8	Operation of cooking holes	23
Assembly before installation	9	Opening and closing of warming oven.....	23
Legs Assembly	9	Usage of oven for cooking	24
Warming oven top Assembly	9	Wood storage.....	24
Firebricks installation.....	10	Ash Removal	24
Side firebrick installation	10	Ash Disposal	24
Back firebrick installation	10	Creosote Formation.....	25
Floor firebricks installation (With ash plug)	10	Chimney Inspection.....	25
Firebrick installation on the pipes	11	Chimney Sweeping.....	25
Firebox configuration & part list	12	Door maintenance	25
General steps of stove installation	13	Air Tighten Adjustment	25
Chimney connector installation	14	Cleaning up glass.....	25
Installation in a transportable building.....	15	Disassembly and reassembly of door.....	25
Use of smoke detectors and carbon monoxide monitors ...	15	Replacing broken glass	26
General steps of chimney installation	16	Replacing glass fiber rope	26
Vertical Installation inside Masonry Chimney	17	What to do in case of Chimney Fire	26
Outside Vertical Installation	17	Blowers	26
Vertical Installation on Cathedral Roof.....	18	Annex 1	27
Offset Vertical Installation	18	Door assembly.....	27
Vertical Installation	19	Wood Stove Door	27
Combustion air intake.....	20	Oven Door	28
Exterior Air Intake pipe.....	20	Annexe 2	29
Installation of Air Intake Pipe	20	Replacement parts.....	29
Air Inlet Obstruction	20	J. A. Roby Limited Lifetime warranty.....	30
Stainless steel tubes replacement.....	21		

Introduction

Save these instructions. Please read all the instructions carefully before installing your new J. A. ROBY Kouzina, Kuchenka or Komfyr cook stove. A proper installation is very important for a safe and effective use of your stove. If you have any doubts about the installation of your appliance, we suggest calling a professional installer. A wrong installation may result in a fire, injury or loss of life.

Please keep this manual for future use.

This appliance must be connected to

- A type HT chimney of 6 inch diameter (15.24 cm) listed to UL-103 or ULC-S629
- A conforming masonry chimney of 6 inch diameter (15.24cm) with qualified internal lining

N.B: Please be aware that the local codes and regulations might be more specific than this manual. You can consult a professional installer, the Fire Department or local authorities about restriction on installation of solid-fuel burning appliances.

DO NOT CONNECT THIS APPLIANCE TO A CHIMNEY FLUE SERVING ANOTHER APPLIANCE.

BTU & Efficiency Specifications

- LHV efficiency : 77.75%
- HHV efficiency :72.26
- Particle emission 1.56g/h
- Particle emission 0.50g/MJ
- Minimum burn rate 1.27 Kg/hr
- Minimum Heat Output* 18 372 BTU/hr
- Maximum Heat Output* : 55 107 BTU/hr
- Vent size 6"
- Firebox size 3.01 cubic feet
- Recommended wood length: 16 inches
- Fuel Orientation: front to rear.
- Fuel: Seasoned cord wood.

Efficiency

The average of the efficiency of the stove is 72%. When the seasoned wood have lower moisture the efficiency will be better. When the outside temperature is really cold, it is important to create a good draft in chimney. When the appliance is in the basement, the chimney is higher than if the appliance would be in the main living area. The draft will be better because we have more length of chimney.

Warning

When this room heater is not properly installed a house fire may result. To secure the risk of fire, follow the installation instruction. Contact local building or fire officials about restrictions and installation inspection requirements in your area.

HOT WHILE IN OPERATION. KEEP CHILDREN, CLOTHINGS AND FURNITURE AWAY. CONTACT MAY CAUSE SKIN BURNS

DO NOT INSTALL THESE MODELS IN AN ALCOVE

Rating plate

MFG. DATE / DATE DE FABRICATION

rev 7

JAN

FEB

MAR

APR

MAY

JUN

JUL

AUG

SEP

OCT

DEC

2021

2022

2023

2024

2025

2026


2027

2028

2029


2030

2031



W/H-

FABRIQUÉ AU CANADA
PAR:
MADE IN CANADA BY:


 Au cœur de la chaleur
 Warmth from the heart of J.A. Roby Inc.
 490 rue de l'Argon, Québec, Canada,
 G2N 2C9

NE PAS ENLEVER CETTE ÉTIQUETTE / DO NOT REMOVE THIS LABEL

MODÈLES / MODELS:

Kocher Cocinera Fomello
 Kouzina Kuchenska Komfyr

U.S. ENVIRONMENTAL PROTECTION AGENCY (EPA) CERTIFIED TO COMPLY WITH 2020 PARTICULATE EMISSION STANDARDS USING CORD WOOD. CERTIFIED IN BOTH UNITED STATES AND CANADA.

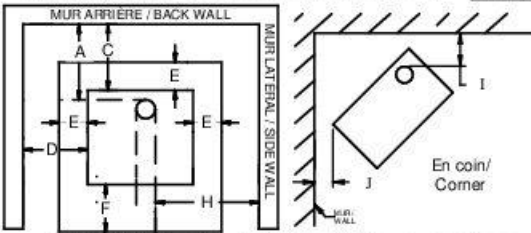
AGENCE DE PROTECTION DE L'ENVIRONNEMENT AMÉRICAINE (EPA), CERTIFIÉ CONFORME AUX NORMES 2020 D'ÉMISSION DE PARTICULES EN UTILISANT DU BOIS DE CORDE. CERTIFIÉ POUR LE CANADA ET LES ÉTATS-UNIS

EMISSION RATE - g/hr [g/MJ] - TAUX D'ÉMISSION : 1.56 g/hr [0.50 g/MJ]
 HHV Efficiency : 72.26% LHV Efficiency : 77.75% VOLUME : 3.01 cubic feet/pieds cube
 MINIMUM HEAT OUTPUT : 18 372 BTU/h : PUISSANCE DE CHAUFFAGE MINIMUM
 MAXIMUM HEAT OUTPUT : 55 107 BTU/h : PUISSANCE DE CHAUFFAGE MAXIMUM

	Distance for all model / Distance pour tous les modèles					
	inches (cm)	A Can	C Can	A USA	C USA	D H
Single wall connector Tuyau à paroi simple	18 (45.7)	16 3/4 (42.5)	14 1/4 (36.2)	13 (33)	23 (58.4)	31 3/4 (80.6)
Double wall connector Tuyau à paroi double	12 (30.5)	11 1/4 (28.6)	12 (30.5)	11 1/4 (28.6)	23 (58.4)	31 3/4 (80.6)

Corner distance / Distance en coin / Tous les modèles	
I	J
24 (61)	15 3/4 (40)
24 (61)	15 3/4 (40)

Floor protection / Protection de plancher		
E	F Can	F Usa
8 (20.3)	18 (45.7)	16 (40.6)
8 (20.3)	18 (45.7)	16 (40.6)



MUR ARRIÈRE / BACK WALL

MUR LATÉRAL / SIDE WALL

En coin /
Corner

MIS À L'ÉPREUVE SELON: / CONFORMS TO:

SÉCURITÉ / SAFETY: ÉMISSION / EMISSION:
 ULC-S627-21, EPA METHOD ALT-125,
 UL 1482-2011, ASTM E2515-11,
 CSA B415.1-22

- Utiliser seulement une cheminée homologuée HT d'un diamètre intérieur de 6 pouces (152.4 mm) ou une cheminée de maçonnerie avec un revêtement intérieur homologué de 6 pouces. ATTENTION: Les tuyaux de raccordement à paroi simple doivent avoir un joint-chauffeur d'une épaisseur minimale de 29 jauges (0.013" / 0.33 mm) offset sur le tuyau à une distance de 1 pouce (25.4 mm) du tuyau de raccordement en direction des murs.
- Use Only 6 Inches (152.4 mm) certified HT chimney or a code approved masonry chimney with a 6 inches flue liner. Warning: Single wall certified chimney connector must have a fixed heat-shield with minimal thickness of 29 gauges (0.0135 inch / 0.33 mm) at 1 inches (25.4mm) offset of the chimney connector facing the wall.
- This wood stove needs periodic inspection and repair for proper operation. Consult the owner's manual for further information. It is against federal regulations to operate this wood heater in a manner inconsistent with the operating instructions in the owner's manual.
- Install and use only in accordance with manufacturer's Installation and Operating Instructions. Contact local building or fire officials about restrictions and installation inspection in your area.
- This appliance must be installed with the legs provided, attached as shown in the installation manual.
- This Appliance Must Be Placed on a 10 mm (3/8") noncombustible floor protection like schematic dimension above. SEE LETTER E and F
- Always be sure that the external air inlet are not obstructed and open.
- Do Not Overfire - If heater or chimney connector glows, You are overfiring.
- Do Not Connect This Unit to a Chimney Serving Another Appliance. In Canada USE CAN/CSA B365 to know how to do.
- Inspect And Clean Chimney Frequently - Under Certain Conditions Of Use, Creosote Buildup May Occur Rapidly.
- Do Not Use Grate Or Elevate Firebuild Wood.
- Fire Directly On Hearth.
- Replace Glass Only With Ceramic Glass 4mm Thick.
- For Use With Solid Wood Fuel Only - DO NOT BURN ANY OTHER FUEL.
- Burn With The Door Closed.
- Open damper before opening the door.
- Do not obstructing space under heater
- To pass chimney or chimney connector thought combustible wall or ceiling, see owner manual and local building code.
- Refer to intertek's directory of building products (<https://bpdirectory.intertek.com>) for detailed information.

• Ce poêle à bois nécessite un entretien périodique pour fonctionner adéquatement. Consultez le manuel du propriétaire pour plus d'informations. Il est contre les règlements fédéraux des États-Unis de faire fonctionner ce poêle à bois d'une manière incompatible avec les instructions de fonctionnement dans le manuel du propriétaire.

• Installer et utiliser seulement conformément aux instructions du manuel d'installation et d'utilisation du manufacturier. Renseignez-vous auprès des responsables locaux de la construction et de la prévention des incendies au sujet des restrictions et inspections des installations dans votre région.

• Cet appareil doit être installé sur les pattes incluses selon les directives du manuel d'installation.

• Cet unité doit être installé sur un protège plancher incombustible de 10mm (3/8") dimensionné selon le dessin ci-haut. VOIR LES LETTRES E et F

• Toujours s'assurer que l'admission d'air n'est pas obstruée et est ouverte.

• Ne pas surchauffer, si le poêle ou le collet de la cheminée deviennent rouge le poêle surchauffe.

• Ne pas brancher cet appareil sur une cheminée servant à un autre appareil. Au Canada utiliser la norme CAN/CSA B365 pour savoir comment faire.

• Inspecter et nettoyer la cheminée fréquemment. Sous certaines condition d'opération le créosote peut s'accumuler rapidement.

• Ne pas utiliser de chenets ou de grilles pour élever le feu.

• Préparer le feu directement sur l'âtre.

• Remplacer la vitre par un verre de céramique de 4mm d'épaisseur.

• Pour une utilisation avec du bois de chauffage seulement. NE PAS BRÛLER AUCUN AUTRE COMBUSTIBLE.


• Brûler avec la porte fermée.

• Ouvrir l'admission d'air avant d'ouvrir la porte

• Ne pas obstruer l'espace sous le poêle

• Pour passer la cheminée au travers un mur ou un plafond combustible utiliser le manuel d'instruction et le code du bâtiment local.

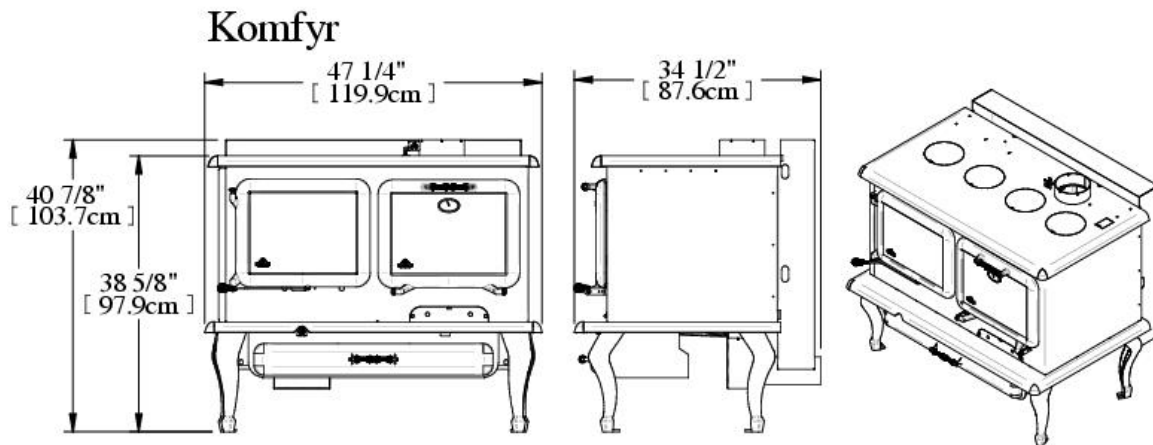
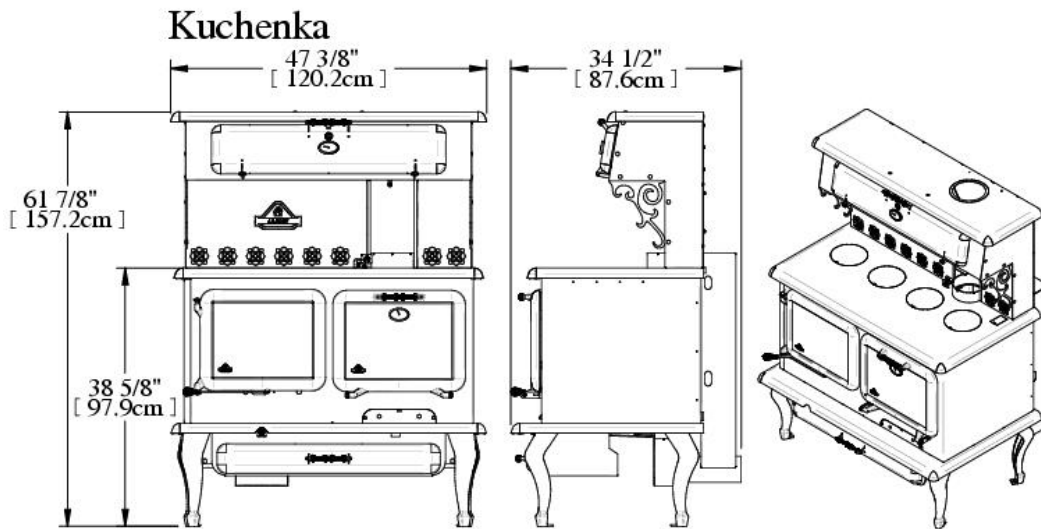
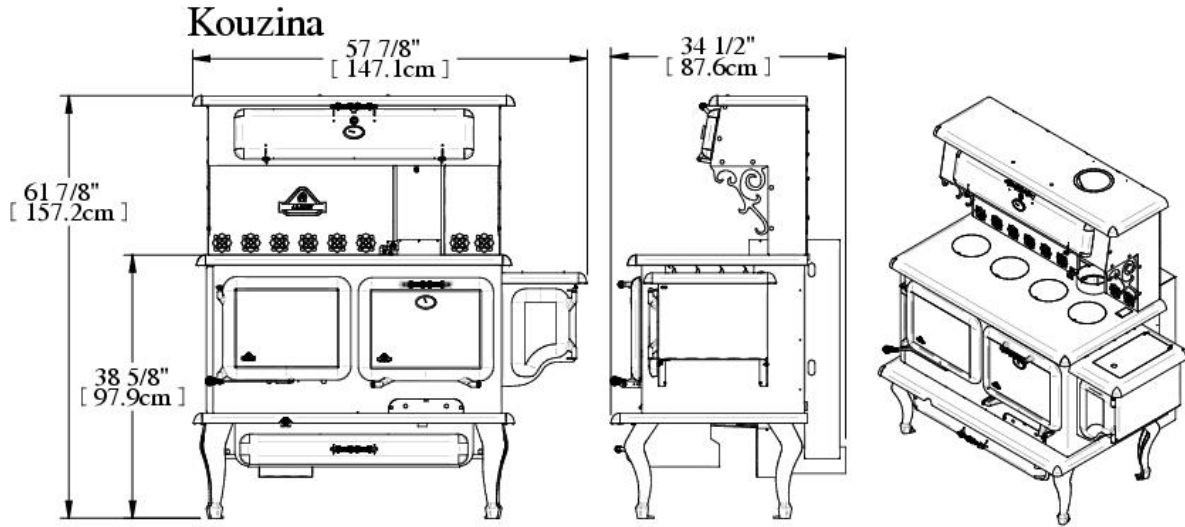
• Se référer au répertoire des produits homologués (<https://bpdirectory.intertek.com>) pour plus d'information.



CAUTION!
HOT WHILE IN OPERATION.
DO NOT TOUCH. KEEP
CHILDREN, CLOTHING AND FURNITURE AWAY. CONTACT MAY
CAUSE SKIN BURNS. SEE NAME-PLATE AND INSTRUCTION.

ATTENTION! CHAUD LORSQU'EN FONCTION, NE PAS TOUCHER,
GARDER LOIN DES ENFANTS, DES TISSUS ET DES MEUBLES. LE CONTACT
PEUT CAUSER DES BRÛLURES À LA PEAU. VOIR LA PLAQUE SIGNALÉTIQUE
ET LES INSTRUCTIONS.

Appliance dimensions



Specification

Option	Kouzina	Kuchenka	Komfyr
Combustible	Wood	Wood	Wood
Recommended Surface area	1000 > 3000 ft ²	1000 > 3000 ft ²	1000 > 3000 ft ²
Cooking lids / Cast iron corners	Yes	Yes	Yes
Capacity	55 107 BTU/h	55 107 BTU/h	55 107 BTU/h
Flue pipe diameter	6 in (15.4 cm)	6 in (15.4 cm)	6 in (15.4 cm)
Minimal chimney height	12 ft. (366 cm)	12 ft. (366 cm)	12 ft. (366 cm)
Exterior height	61 7/8 in (157.2 cm)	61 7/8 ft. (157.2 cm)	40 7/8 in (103.7 cm)
Exterior width	57 7/8 in (147.1 cm)	47 3/8 in (120.2 cm)	47 1/4 in (119.9 cm)
Exterior depth	34 1/2 in (87.6 cm)	34 1/2 in (87.6 cm)	34 1/2 in (87.6 cm)
Door opening	15 1/8 in x 9 1/4 in 38.4 cm x 23.5 cm	15 1/8 in x 9 1/4 in 38.4 cm x 23.5 cm	15 1/8 in x 9 1/4 in 38.4 cm x 23.5 cm
Interior height	15 1/8 in (38.4 cm)	15 1/8 in (38.4 cm)	15 1/8 in (38.4 cm)
Interior width	18 in (47.5 cm)	18 in (47.5 cm)	18 in (47.5 cm)
Interior depth	22 1/2 in (57.1 cm)	22 1/2 in (57.1 cm)	22 1/2 in (57.1 cm)
Maximum log length	16 in (40.6 cm)	16 in (40.6 cm)	16 in (40.6 cm)
Average combustion time	4 à 14 hours	4 à 14 hours	4 à 14 hours
Weight	700 lbs (317.5 kg)	665 lbs (301.6 kg)	585 lbs (265.3 kg)

Installation

WARNING ALWAYS USE J.A. ROBY PARTS on your appliance. Using other differences parts can damage the appliance and cause injury.

Floor protection

Your stove must be installed on a plate of non-combustible material to protect the floor and avoid fire caused by:

- Projections of sparks at the moment of opening the door and loading;
- The heat radiation of runaway which might cause self-ignition of floor and surface;
- Possible creosote flow when there is a chimney fire.

UNITED STATES ONLY: The surface must be non-combustible and listed to the USA standard UL1618 or the local codes (Example: cement, brick, ceramic tiles etc.)

Minimum dimension of floor protection plate

The following dimensions are the minimum values.

Canada:

- 56 1/8 in (142.5 cm)
- 63 3/8 in (160.8 cm)
- 3/8 in thickness (1 cm)

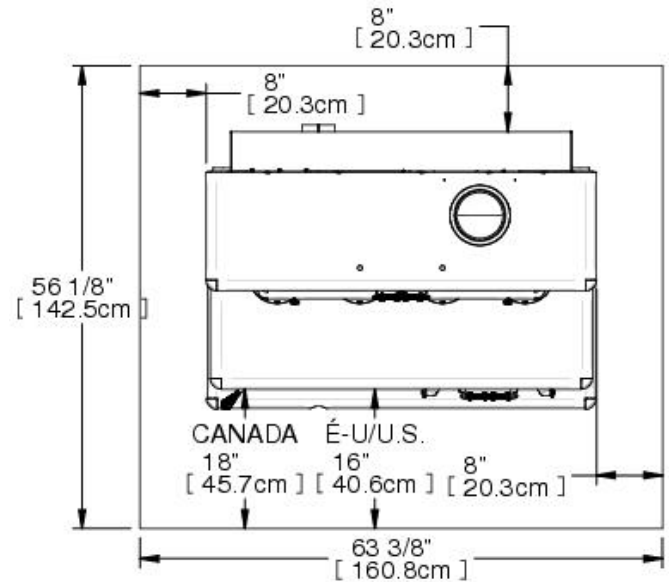
USA:

- 54 1/8 in (137.5 cm)
- 66 3/8 in (168.6 cm)
- 3/8 in thickness (1 cm)

UNITED STATES ONLY: It's necessary to protect the floor beneath the horizontal part of chimney connector extending 2 inch (5cm) beyond each side of the pipe. You can extend the floor protection panel while respecting the clearances of each side of stove.

If the space heater meeting the requirements of CAN/ULC S627-21 is suitable for installation on a combustible floor and do not require radiant floor protection.

Cook stove with or without water tank



Clearances chart on floor plate

The following dimensions are the minimums values.

Canada :

- 8 inches (20.3 cm) rear
- 8 inches (20.3 cm) side
- 18 inches (45.7 cm) loading door

USA :

- 8 inches (20.3 cm) rear
- 8 inches (20.3 cm) side
- 16 inches (40.6 cm) loading door

Corner installation

Minimum clearances to combustible material

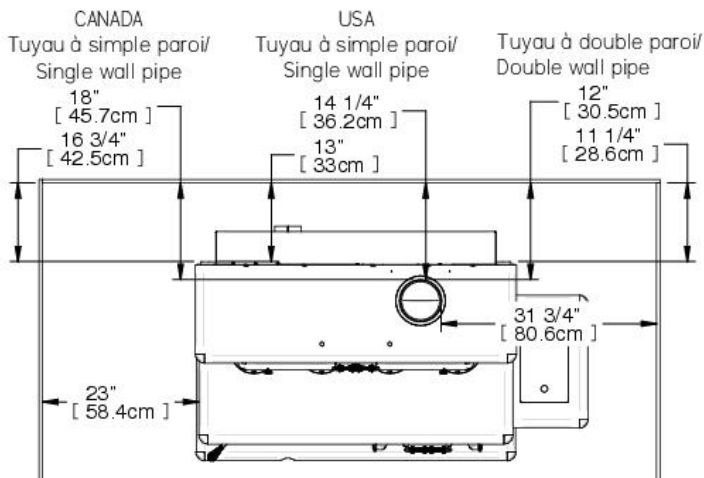
This appliance needs a minimum space because of these reduced clearances. Whether in the living room or the dining room, the Kouzina, Kuchenka and Komfyр cook stove will match perfectly by its originality and heating.

For the **double wall pipe in Canada and USA**, the minimum clearance at the **back is 11 1/4 inches (28.6 cm)** and the minimum clearance on the side is 23 inches (58.4 cm).

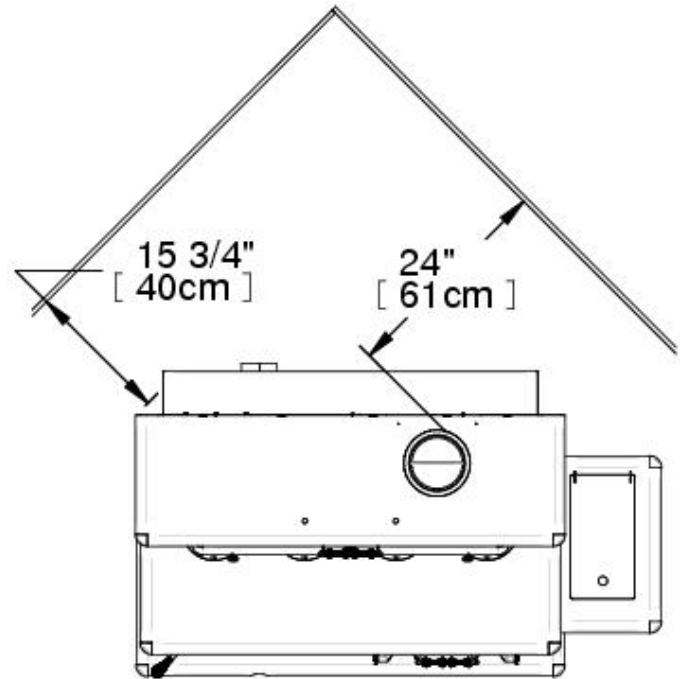
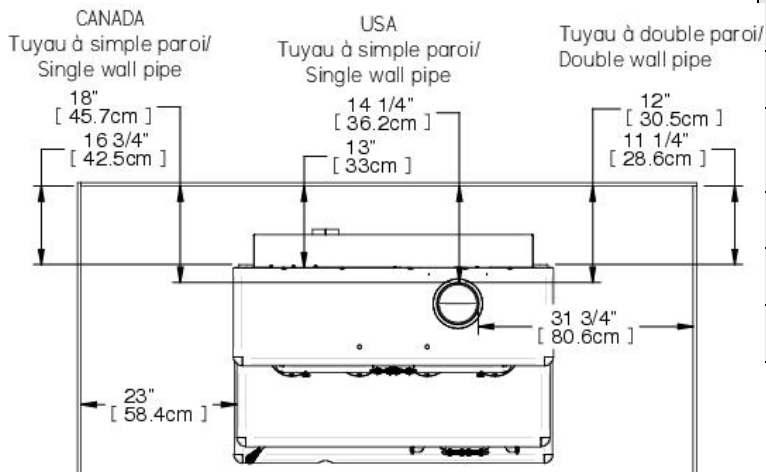
For the **single wall pipe in CANADA**, the minimum clearance at the **back is 16 3/4 inches (42.5 cm)** and the minimum clearance on the side is 23 inches (58.4 cm).

For the **single wall pipe in USA**, the minimum clearance at the **back is 13 inches (33 cm)** and the minimum clearance on the side is 23 inches (58.4 cm).

Clearance with water tank



Clearance without water tank



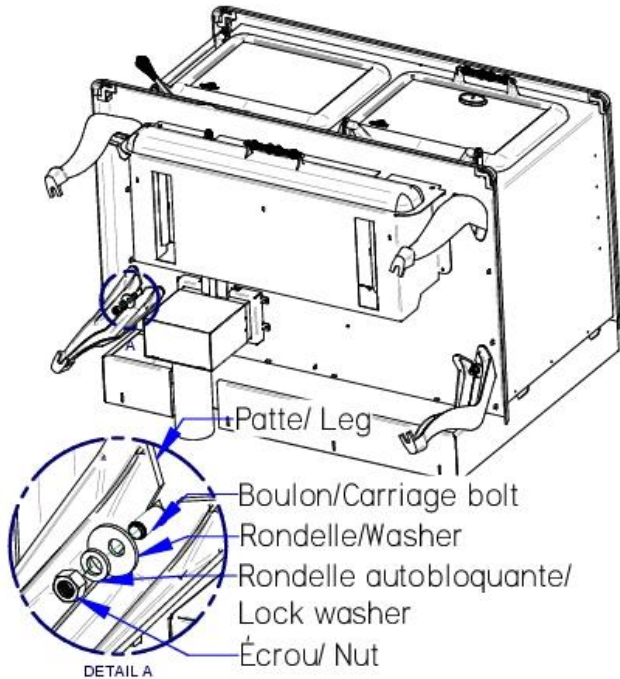
Modèle :			
Kouzina-Kuchenka-Komfyр			
Type of smoke pipe	Single		double
Back (from top of stove)	CAN 16 3/4 in (42.5cm)	USA 13 in (33 cm)	11 1/4 in (28.6 cm)
Side	23 in (58.4 cm)		23 in (58.4 cm)
Front	48 in (121.9 cm)		48 in (121.9 cm)
Minimum Ceiling height	84 in (213.4 cm)		84 in (213.4 cm)
From collar to back	CAN 18 in (45.7cm)	USA 14 1/4 in (36.2 cm)	12 in (30.5 cm)
From collar to side	31 3/4 in (80.6 cm)		31 3/4 in (80.6 cm)
Corner installation (from appliance)	15 3/4 in (40 cm)		15 3/4 in (40 cm)
Corner installation (from smoke pipe)	24 in (61 cm)		24 in (61 cm)

Assembly before installation

The stove leg and the warming oven top might not be assembled in the factory, in order to save space for transportation and storage. You must therefore assemble these parts before installing the cook stove.

Legs Assembly

Put the cook stove on the back. Insert the legs on the bolt below the cook stove (see picture below). Install the legs in this order: leg, washer, lock washer and nut.

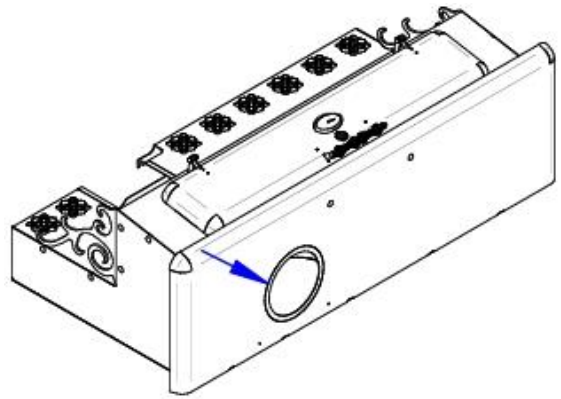
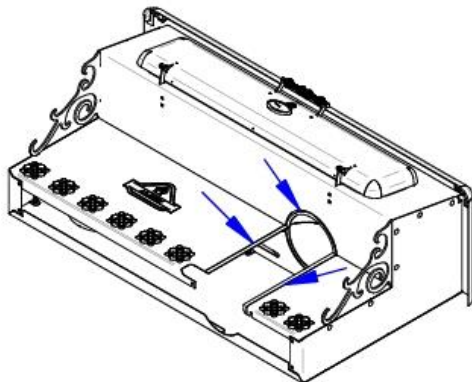


Warming oven top Assembly

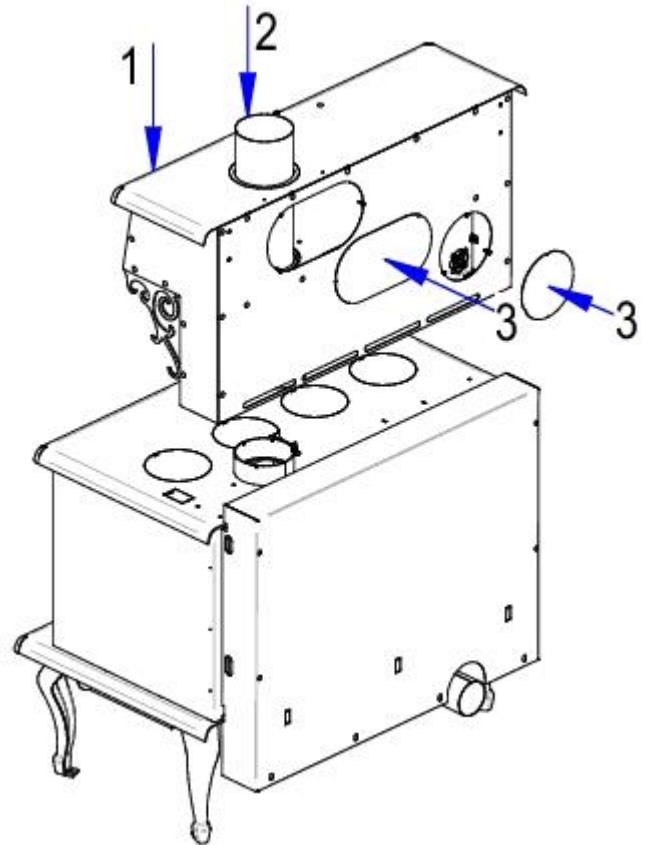
At this moment, you need to know which type of smoke pipe you are installing: a single pipe or a double pipe.

For the single pipe, it is not necessary to remove the pre-cut metal part.

For the double pipe, remove the pre-cut metal parts (see the 2 following pictures) (see blue arrows)



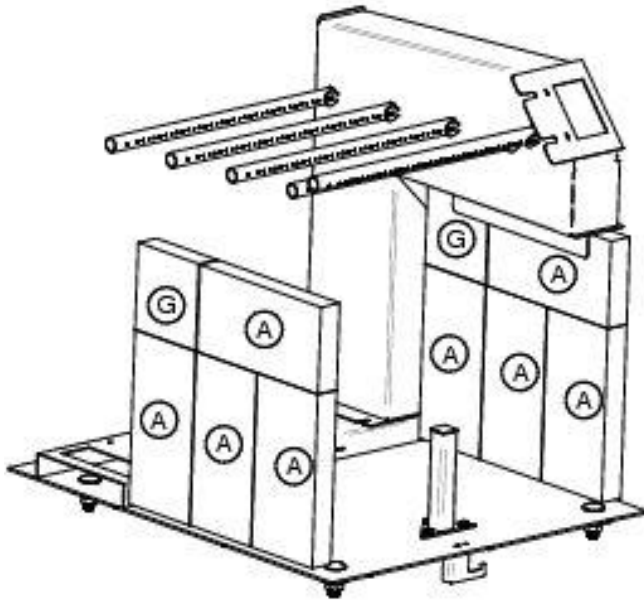
- 1) Remove the pre-cut metal parts if you install a double wall pipe.
- 2) Fix the warming oven on the top of the cook stove with 5 bolts and nuts (#1) See picture below
- 3) Insert the smoke into the warming oven and put 3 screws to fix the smoke pipe on the stove collar (#2).
- 4) Put the access panel at the good place (#3).



Firebricks installation

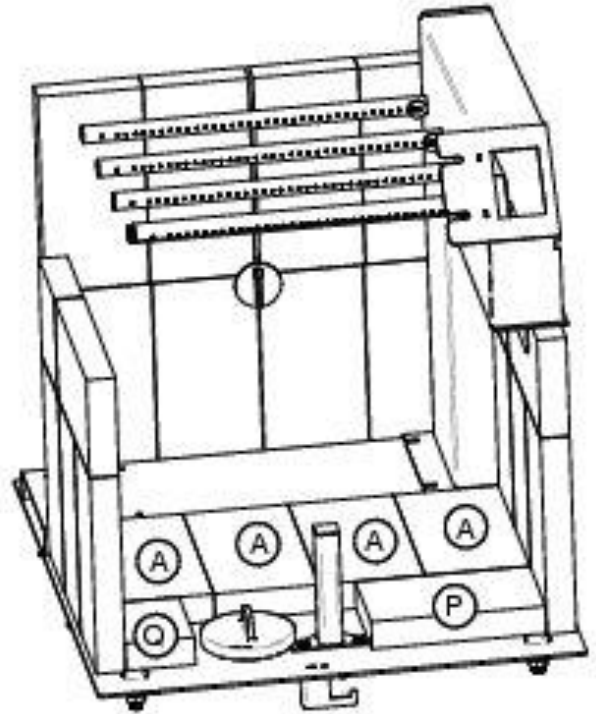
Side firebrick installation

Put 4 bricks "A" and 1 brick "G" as shown.



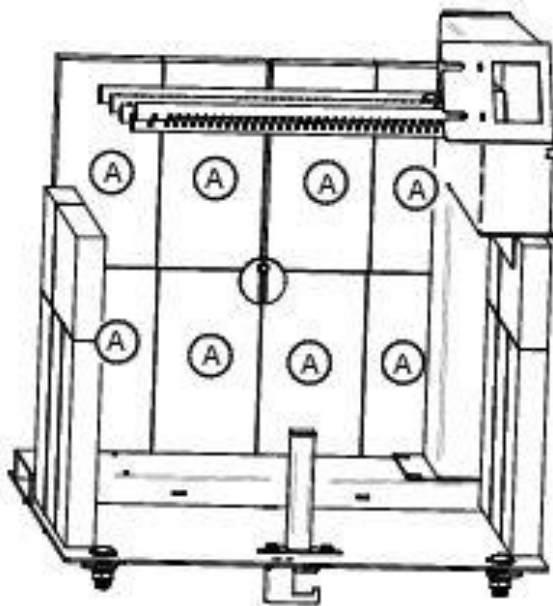
Floor firebricks installation (With ash plug)

Put 4 Bricks «A» near to the back wall and 1 brick «P and Q» in front of bricks "A".



Back firebrick installation

Put 8 bricks «A» on the back wall and fix with a screw and brick support.



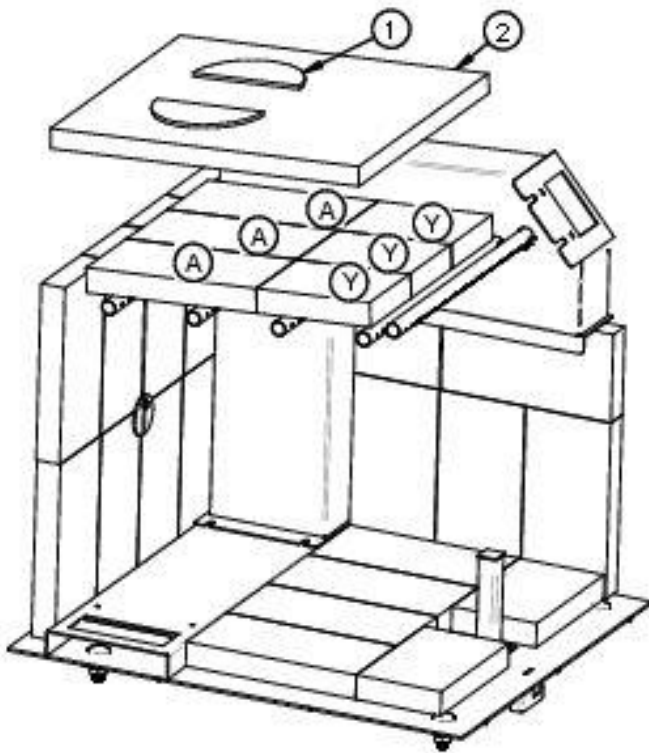
Firebrick installation on the pipes

The firebricks must be put on the 3 pipes from the front of combustion chamber. Bricks keep the maximum heat inside the combustion chamber and help the air from the tube burn the most of the gas from wood which wouldn't be burnt in any other manner.

The rockwool above the brick prevents leakage between the bricks and keep a maximum heat inside combustion chamber. It must cover up all the bricks and the air corridors of both sides.

IMPORTANT: *The rockwool must not obstruct the smoke exit way. Check from the hole in the flue collar and make sure that is in the good position. Place two half-round steel parts on the rockwool as illustrated.*

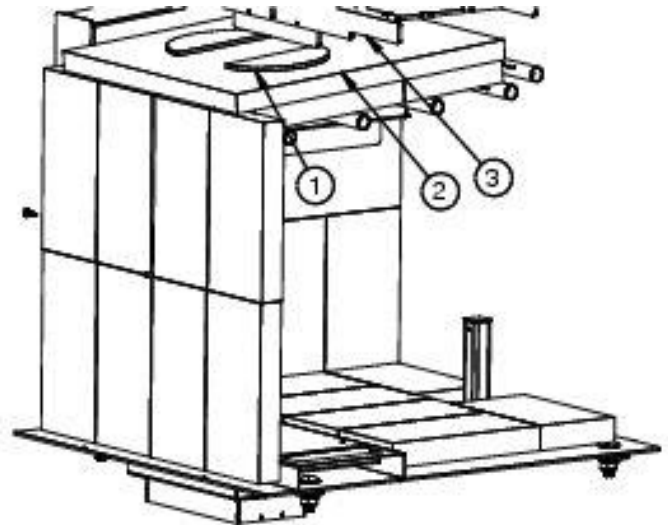
- 1) Put 3 « A » bricks over the two top pipes and push them against the back bricks. Be sure to eliminate any space between the back bricks and the bricks you install as shown.



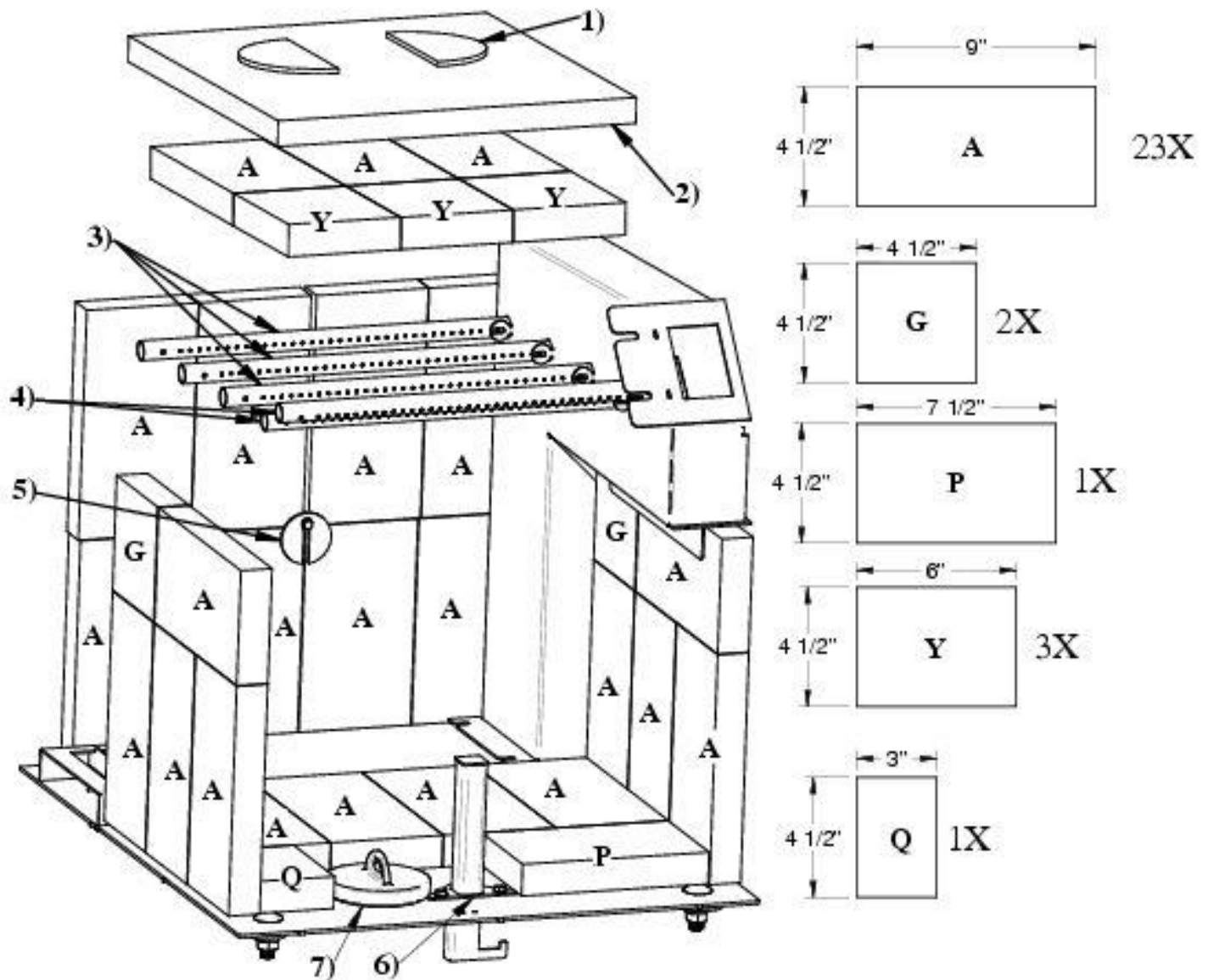
- 2) Slide the rockwool between pipes and put it over the bricks and check from the hole in the flue collar that the passage of smoke is not obstructed.

- 3) Insert the 3 bricks «Y» between the pipes and the rockwool(2)
- 4) Put two half-round steel disks over the rockwool near the rear deflector (3) already in place. Be sure to put it under the rear deflector to maximise the clearance between rockwool and the rear deflector. Make sure the rockwool is not obstructing the space by looking from the hole in the flue collar.

WARNING: *Obstructing smoke exit way under deflector can force fume to exit by the door when open it and the stove must not work properly.*



Firebox configuration & part list



- 1) 2 half-disk metal steel plates
- 2) 1 rock wool insulating blanket
- 3) 3 $\varnothing 3/4$ "x 15 " pipes with holes on a single side
- 4) 2 $\varnothing 3/4$ " x 15 " pipes with bigger holes on both side
- 5) 1 screw and bricks support
- 6) 1 air pilot
- 7) 1 ash plug

General steps of stove installation

- 1) Read the entire installation manual before installing and using your stove.
- 2) Choose a place to install your cook stove. Read the sections about dimensions of floor protection panel, localisation of stove over the floor protection panel, and clearance to combustible materials. Once you have decided where to install the stove, mark the center of chimney on the floor.
 - o To make sure the vertical center of the chimney, use a plumb line to mark on the floor.
- 3) Check if it is possible to pass chimney without damaging the structure of your house. You might have to move the location of the stove while keeping the minimum clearance. If you have to cut a joist, be sure to respect the building code in effect to keep the structural integrity of your house.

Note: This appliance has to be connected to:

- A type HT chimney of 6 inch diameter (15.24 cm) listed to UL-103 or ULC-S629.
- A conforming masonry chimney of 6 inch diameter (15.24cm) with qualified internal lining

- 4) Install the chimney following the manufacturer instructions.
- 5) Put the stove on the floor aligned vertically with the center of chimney and trace the 4 sides of the stove vertically on the floor. Please remove the stove.
- 6) Mark the dimensions of protection panel on the floor. The edge clearance of the sides and the back is 8 inches (20.3 cm). At the front, it must be 16 inches (40.6 cm) in US and 18 inches (45 cm) in Canada, measured from the front door.
- 7) Install the floor protection panel according to the mark. (It must be non-combustible)
- 8) Put the stove on the protection floor panel. Respect the edge clearance that you have set at step 6 and the centre of the chimney as well. We recommend to fix the stove to the floor with bolt in the slots in the stove legs made for this purpose. If you have a pedestal, use the holes made for this purpose.
- 9) If you have an outside air inlet you must use 4 inches (10.16 cm) flexible aluminum pipe. The pipe must be sealed with thermal resistant sealant
- 10) Install the chimney connector from the stove. The pipe must be attached with at least 3 screws, to the collars of the stove and the chimney, also each joint of connection.

Note:

- The single chimney connector must be 6 inches diameter (15,25 cm) and have a minimum thickness of 24 gauge (0.025 inches 0.64 mm).
- Do not use galvanised steel chimney connector.

Chimney connector installation

The chimney connector is a set of single flue pipes and elbow installed between the stove collar and the chimney collar. Components of single wall chimney connector are available at any hardware store and there is no precise standard or regulation. However, some rules must be followed to install solid fuel burning equipment.

Your cook stove was approved for the use of a single wall and double wall chimney connector.

Single wall chimney connector

For the single wall chimney connector, you must use the connector of 6 inches diameter with a minimum thickness of 24 gauge (0.025 inches 0.64 mm).

ATTENTION:

- Any horizontal section must be sloping upwards 1/4 inches (6.35 mm) by feet (30 cm) toward the chimney collar. This section should not exceed 36 inches (91.4 cm).
- The clearance between the roof and the single wall chimney connector must be 18 inches (45.7 cm) or more.

1. Assembly of connecting parts

Make a brief installation of all sections and elbows (if necessary) to ensure that you respect the clearances and inclinations of the horizontal sections. You must also verify if you have all the necessary parts for final installation.

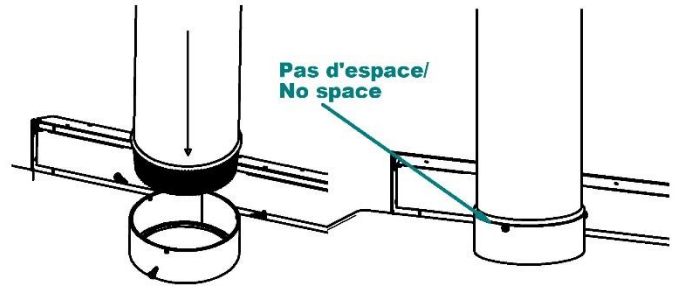
- For direct vertical installation, you will need:
 - 1 x vertical section of 24 inches (61 cm) or more
 - 1 x adequate length of telescopic chimney part allowing you to connect the last chimney connector section to the chimney collar.
- For horizontal installation, you will need:
 - 1 x vertical section of 24 inches (61 cm) or more;
 - 1 x 90° elbow;
 - 1 x adequate length of telescopic chimney part.

Note: For higher roof, more parts might be needed.

Note: For better performance, two 45 degrees elbows with or without straight section in between are preferable.

2. Disassemble the whole thing and start screwing the pieces from the stove to the roof chimney collar.

3. Insert entirely the roll formed end into the stove collar and screwing it with a minimum of 3 screws.



WARNING: It is mandatory to attach the pipe to the stove collar and also at each joint with at least 3 screws.

4. Install all the next section up to the chimney support collar and be sure to attach all parts with at least 3 screws.

ATTENTION: It is OBLIGATORY to attach the pipe on the stove flue collar and each joint with at least 3 screws.

5. Install all other parts and attach them up to the chimney collar.
6. Attach the connection pipe with 3 screws.

DO NOT CONNECT THIS APPLIANCE TO A CHIMNEY SERVING ANOTHER APPLIANCE.

CONNECTOR PIPES SHOULD NEVER GO ACROSS A CEILING, A WALL, A CLOSET, AN ATTIC OR OTHER ENCLOSED AREA THAT COULD CAUSE HEAT BUILDUP. IF YOU NEED TO PASS THROUGH COMBUSTIBLE MATERIAL, MAKE SURE THAT YOUR INSTALLATION COMPLIES WITH CAN / CSA-B365.

Installation in a transportable building

DO NOT INSTALL THIS APPLIANCE IN A TRANSPORTABLE BUILDING.

Use of smoke detectors and carbon monoxide monitors

To provide reasonable fire prevention, the following should be given serious consideration:

1. At least one smoke detector on each floor of your home should be installed to ensure your safety. They should be located away from the heating appliance and close to the sleeping areas. Follow the smoke detector manufacturer's placement and installation instructions and be sure to maintain regularly.
2. A conveniently located Class A fire extinguisher to contend with small fires resulting from burning embers.
3. A CO detector should be installed in the room with the appliance.
4. A practiced evacuation plan, consisting of at least two escape routes.
5. A plan to deal with a chimney fire as follows:
 - a. In the event of a chimney fire:
 - b. Evacuate the house immediately
 - c. Notify fire department.

The average of the CO emission (carbon monoxide) is 100.4 g/hr. To maintain this rate, it's recommended to operate the appliance in low or medium burn rate.

The hazards with some fuels (e.g. charcoal) and the possibilities of generating carbon monoxide and the hazards from carbon monoxide.

When the smoke detector is activated is mean that the smoke spill out of the appliance. Verify the door is close and the draft in chimney is good.

General steps of chimney installation

Use only approved chimneys of the same size as the output of the appliance, which means 6 inches in the case of *Kouzina, Kuchenka and Komfy*. The chimneys must be tested according to CAN/ULC-S629-M87 in Canada and to UL-103 (type HT) in USA. The *Kouzina, Kuchenka or Komfy* can be installed with a masonry chimney according to ULC-S635, ULC-S640 and UL-1777. The masonry chimney must be equipped with a stainless steel sleeve and meet the standards for the masonry chimney with inner sleeve.

Provide a place for sweeping.

It is preferable, if possible, to avoid a chimney built outside of a house and on an exterior wall, especially in cold regions.

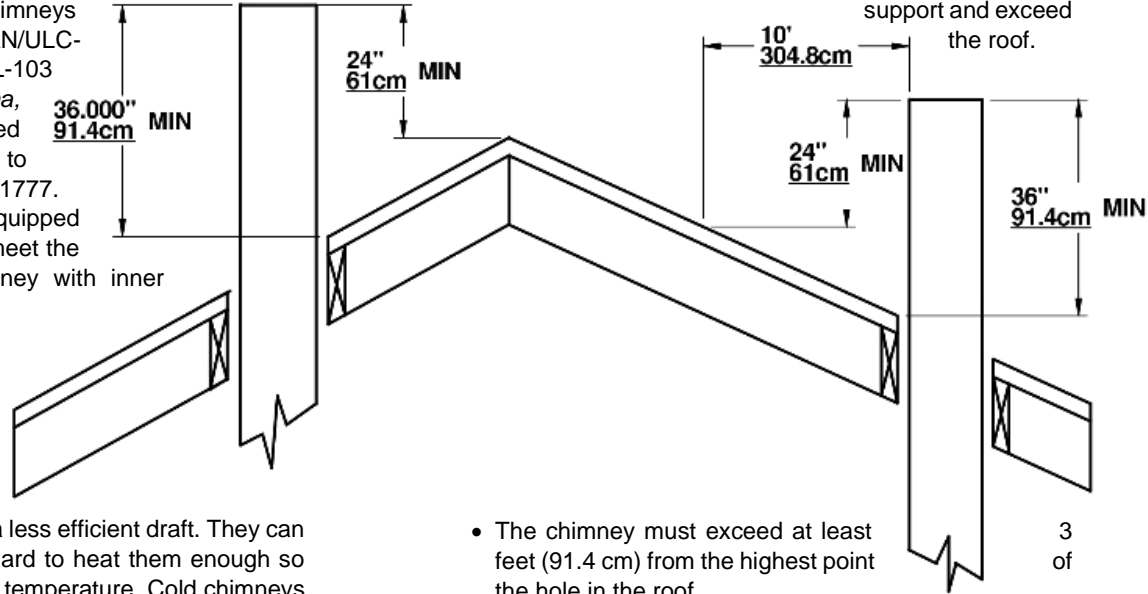
Outside chimneys generally have a less efficient draft. They can even have down draft since it is hard to heat them enough so that they can reach their operating temperature. Cold chimneys have tendencies of greater accumulation of creosote, less efficient draft and worse efficiency. Draft is proportional to the total chimney height as well as its temperature. It is therefore possible to get better draft by increasing the chimney's height and by reducing the heat loss with insulated lining. Make sure that all pipe joints are really airtight. A leak reduces the efficiency of the appliance and could even make its usage dangerous. Using a high temperature silicon or cement to ensure that the smoke pipe joint are airtight. If the chimney pass through the exterior wall or insulated roof be sure the hole after installation needs to be airtightness. Use sealant to make the building airtight.

Note: This is a general chimney installation method. Be sure to refer to the manufacturer's manual for more details of installation of your chimney.

Do not install the chimney directly at the outlet of the appliance. A chimney connector (flue pipe) is required unless the appliance is specifically approved for that type of installation.

- 1) Determine the total length necessary for your chimney.
- 2) Make holes into all floors and roof.
- 3) If you need to cut a joist, be sure to strengthen the adjacent joists and frame the hole respecting the minimum dimensions between combustible materials and the fireguard. Follow the manufacturer's instructions supplied with the fireguard. **Never cut a loadbearing joist/beam.**
- 4) Frame the holes in each level and attic respecting the minimum distance recommended by the manufacturer of your chimney. Install fireguard in each level.
- 5) Frame the hole into the roof.

- 6) Install a chimney support and a fireguard in the ceiling where cook stove is installed.
- 7) Stack the prefabricated chimney sections on the support and exceed the roof.



- The chimney must exceed at least 3 feet (91.4 cm) of the hole in the roof.
- The chimney must also be at least 2 feet over the highest point on the roof inside 10 feet (304 cm) radius around the chimney.
- The minimum length of chimney is 12 feet (365.8 cm).

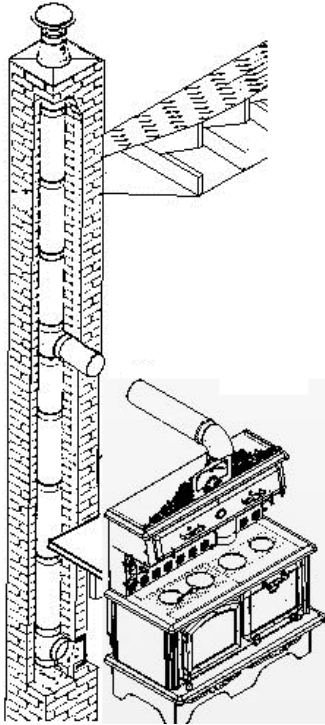
WARNING: Be sure the chimney parts are attached properly and lock onto the chimney support.

Note: A chimney longer than the minimum required can add more draft and help the operation of the cook stove. Try the minimum length first then add section if you need more draft.

- 8) Put the roof flashing over the chimney and seal it with roof caulking.
- 9) Nail the roof flashing.
- 10) Slide the storm collar over the chimney and fix it. Seal it with high temperature caulking.
- 11) Lock the chimney cap and install the spark arrestor if necessary.

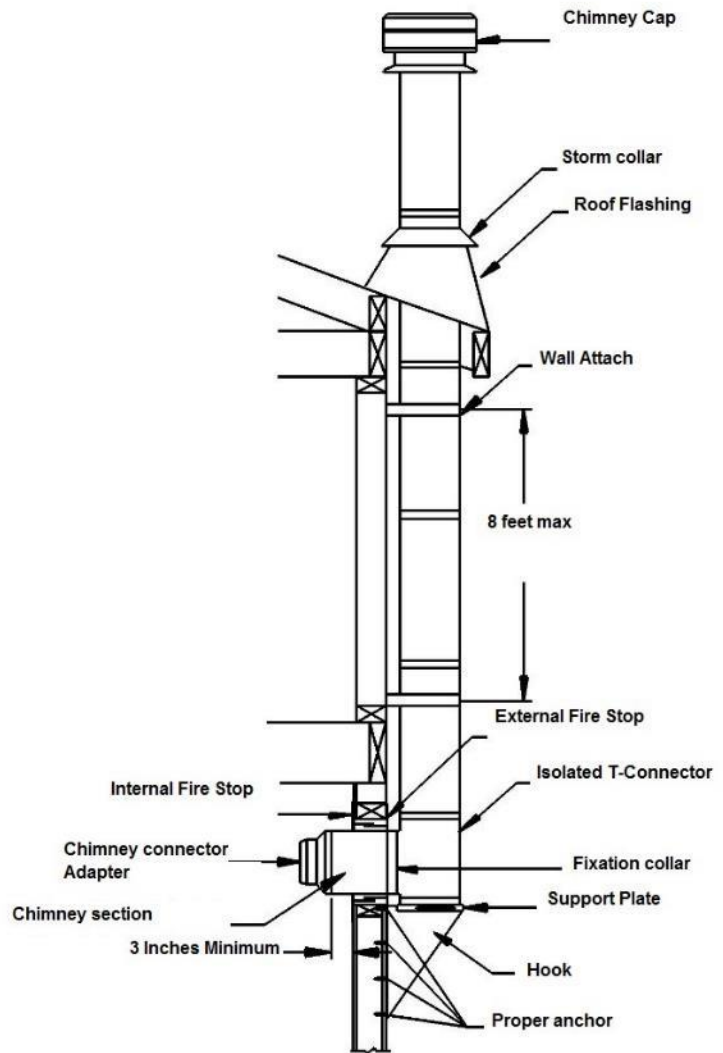
Vertical Installation inside Masonry Chimney

The appliance must be installed in accordance with the applicable local laws or the standards such as ULC-S635, ULC-S640, and NFPA 211 (USA). Follow the chimney manufacturer's instructions to install the chimney.



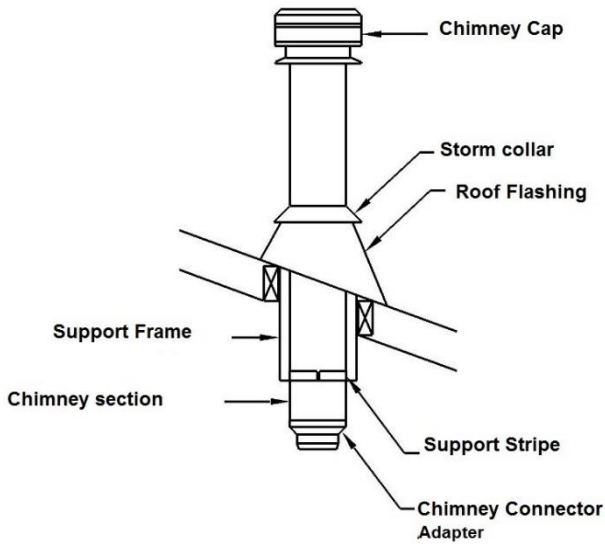
Outside Vertical Installation

The appliance must be installed in accordance with the applicable local laws or the standards such as ULC-S635, ULC-S640, and NFPA 211 (USA). Follow the chimney manufacturer's instructions to install the chimney.



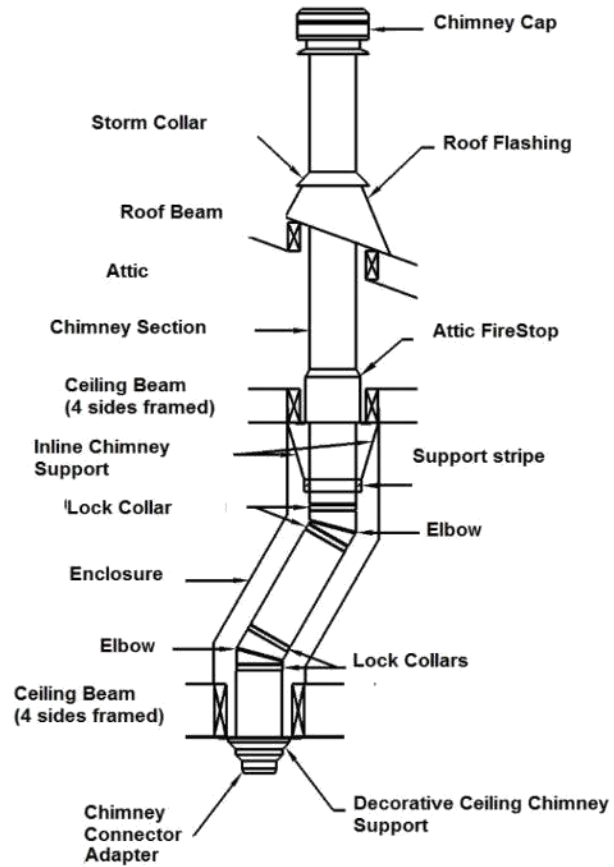
Vertical Installation on Cathedral Roof

The appliance must be installed in accordance with the applicable local laws or the CAN/CSA-B365, NFPA 211 (USA). Follow the chimney manufacturer's instructions to install the chimney.



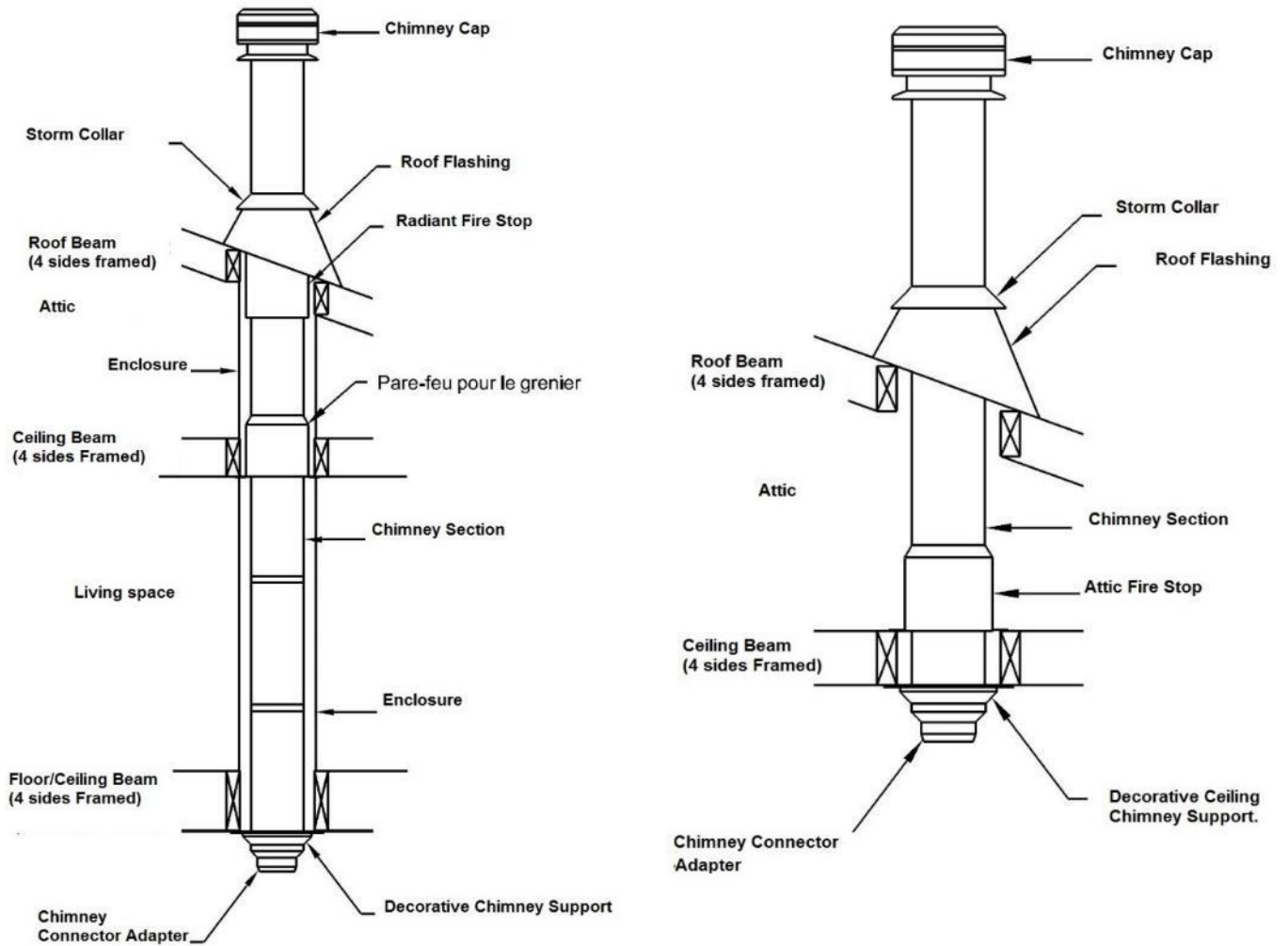
Offset Vertical Installation

The appliance must be installed in accordance with the applicable local laws or the CAN/CSA-B365, NFPA 211 (USA). Follow the chimney manufacturer's instructions to install the chimney.



Vertical Installation

The appliance must be installed in accordance with the applicable local laws or the CAN/CSA-B365, NFPA 211 (USA). Follow the chimney manufacturer's instructions to install the chimney.



Combustion air intake

In conventional designed homes, natural ventilation is enough to operate the wood stove efficiently.

Some houses are more airtight than others. If you do not have outdoor air intake system, it is necessary to open a window slightly in the room where you have your cook stove.

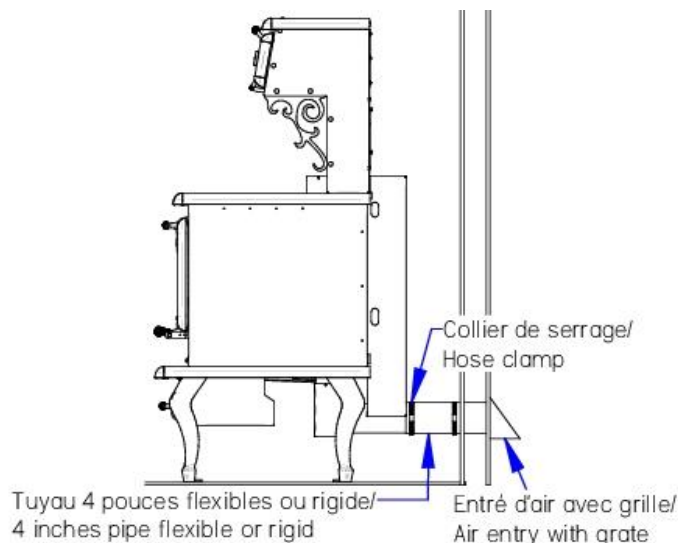
CUISINIÈRE IS NOT APPROVED FOR MOBILE HOME.

A mobile home on a foundation is considered as a conventional house.

Exterior Air Intake pipe

This appliance is not approved for mobile home. It is built, however, to receive an exterior air intake pipe. An air intake kit has factory install. We recommend using a 4 inches (10.16 cm) aluminum flexible pipe, equipped with a weatherproof hood with screen.

For the usage of pipes made of other materials, they must be complied with ULC-S110 or UL-181 Class1, equipped with thermal resistant isolation and must be corrosion resistant.



Number of outside air kit:

ECPAE

The air inlet shall prevent material from dropping into the inlet or into the area beneath the dwelling, and also prevent rodents from entering from outside (a wire mesh having opening not larger than 1/4 by 1/4 (6.4 by 6.4 mm) meets the intent of the requirement).

Installation of Air Intake Pipe

To install the exterior air intake pipe, insert the pipe into the air entry and put hose clamp to fix the 4 inches pipes. Put a generous layer of high temperature latex caulking onto the joint to ensure the pipe is sealed.

Air Inlet Obstruction

If the fire in the stove goes out after closing the door, it's possible that the air inlet is obstructed by something.

In summer, insects or animals can build a nest into the air inlet. In winter, snow can accumulate over the air inlet and obstruct it. The valve of the air intake might be closed as well.

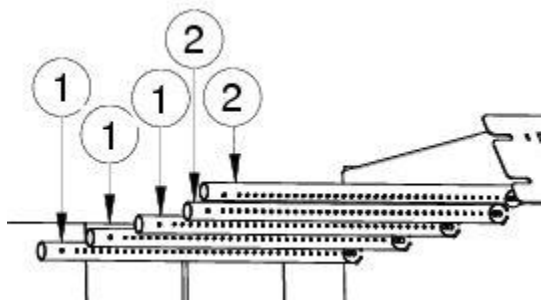
Stainless steel tubes replacement

Although the tubes are in stainless steel, with extreme temperature and conditions, the tubes are eventually corroded and perforated by normal deterioration. They must be replaced by a new one to ensure the performance of your stove.

Stainless steel tubes Installation

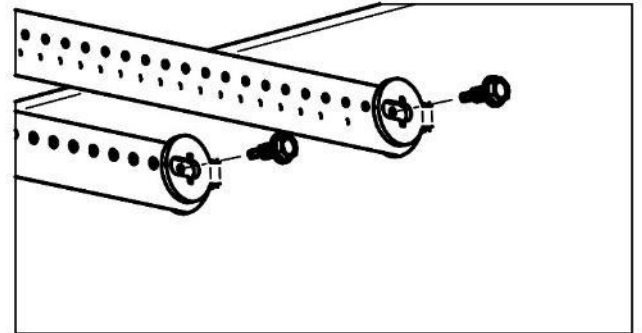
There are 2 types of tubes used into the stove. Three of them are single side perforated (1) and are in the back of the heat chamber.

The 2 tubes in front of the heat chamber are double-side perforated tube (2).



How to install tubes

- 1) Insert the tube into the round hole in the hot air corridor (beginning of the back of the heat chamber)
- 2) Insert the other side in the corresponding hole of the hot air corridor.
- 3) Align holes and put the screw on both sides to hold the tube.



- 4) Install the next tube.

To remove tubes, do these steps in reverse order.

Operating Instructions

Operating instruction according to ALT-125, ASTM E3053, cordwood

High burn rate

- Start the fire with approximately 4.3 lbs (18 Kg). of startup fuel, 2.8 lbs (0.9 Kg). of kindling.
- Ignite the fire with a propane torch
- After 1 minute close the door.
- When left approximately 3 lbs (1.3 Kg). from the startup load, the high burn rate load can be inserted.
- The high burn rate load can be up to 31lbs (14 Kg). open the door, load the stove with high burn load.
- Close the door immediately after.
- Leave the air damper fully open at maximum position
- Convection fan should be on (AUTO) mode, cycle automatically on Therm-O-Disc.

Medium burn rate

- From the high burn rate coal bed, when 5 to 6 lbs. left, the load can be inserted in the firebox.
- Open the door
- Insert the 36 lbs (16.3 Kg). load in the wood heater
- Close the door immediately after.
- Keep the combustion air damper fully open for 1 to 3 minutes then shut down the air damper to the medium setting.
- Convection fan should be on (AUTO) mode, cycle automatically on Therm-O-Disc.

Low burn rate

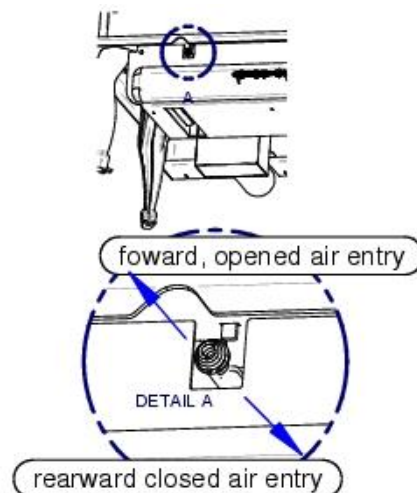
- From the high burn rate coal bed, when 5 to 6 lbs. left, the load can be inserted in the firebox.
- Open the door
- Insert the 36 lbs (16.3 Kg). load in the wood heater
- Close the door immediately after.
- Keep the combustion air damper fully open for 2 to 3 minutes then shut down the air damper to the minimum setting. (Fully closed)
- Convection fan should be on (AUTO) mode, cycle automatically on Therm-O-Disc.

Control of primary and secondary air admission

When the handle below the stove is push to the back of the appliance, the air admission is only from the tube. This is what we called "Secondary air admission". When the handle is pull to the front of appliance, the air admission is direct and from the top of the door opening, which we call "Primary air Admission"

Warning: Running your stove with the Primary air admission at the maximum for a long period of time, can damage the stove.

IT IS PROHIBITED TO MODIFY THE AIR ADMISSION TO OBTAIN HIGHER HEAT OR FOR ANY OTHER REASON.



Lightning fire

After installing correctly the stove following the installation instruction of the manufacturer, you are ready to light it.

- 1) Pull the admission handle to the front of appliance to set the primary air admission.
- 2) Be sure that all the covers of cooking holes are placed properly.
- 3) Set the deviation selector at the position "close".
- 4) Put paper and lightning wood into the combustion chamber and light them as you do normally.
- 5) Close the door partially leaving a slight opening. When chimney has enough heat buildup, close the door completely keeping the admission handle at the same position. Wait for a good fire buildup.
- 6) Once you have an ember fire, it's time to add logs.

DO NOT LOAD THE STOVE OVER THE UPPER BRICK ROW

You can control the combustion by push and pull the handle. The wood will burn more rapidly when more primary air is set. Otherwise the wood burn more slowly and more efficiently with the handle set to secondary air. You can balance the primary and secondary air to have more heat for cooking.

NEVER LEAVE THE STOVE UNATTENDED WHEN THE DOOR IS SLIGHTLY OPEN. ALWAYS CLOSE THE DOOR AFTER LIGHTNING.

CAUTION: NEVER USE GAZOLINE, GAZOLINE TYPE LANTERN FUEL, KEROSEN, CHARCOAL LIGHTER FLUID, OR SIMILAR LIQUIDS TO START OR "FRESHEN UP" THE FIRE IN THIS STOVE. KEEP ALL SUCH LIQUIDS AWAY FROM THE HEATER WHILE IT IS IN USE. DO NOT BUILD THE FIRE NEAR THE FRONT GLASS.

First fire

For the first hours of operation, you must heat your appliance gradually. In order to allow an appropriate baking of the paint and to facilitate its adhesion with metal, do not heat the appliance with a strong fire. It will also avoid thermal shock which could lift up the paint or make the color fade. Make sure that the room is ventilated enough in order to eliminate the odor and the smoke coming from the paint. It is normal that a light smoke is released from the paint for the first time.

Even if this nuisance is temporary, open the windows and the doors in order to ensure good ventilation. This special paint is conceived to tolerate temperatures until 1200°F (650°C).

Keeping a fire

To add firewood into the stove and keep a fire:

- 1) Pull the handle and wait a few second to let the fire adjust to the new condition.
- 2) Turn the door handle to the first position and wait a few second to balance pressure to avoid smoke coming out from stove.
- 3) Put the handle at the full-open position and open the door half-open. Wait for the fire to get stable.
- 4) Open the door widely.
- 5) Move embers with poker near the door to supply oxygen and burn them completely.
- 6) Add firewood over the ember keeping it away from the glass door to avoid flame touching the ceramic glass.

ATTENTION:

DO NOT LOAD THE STOVE OVER THE LEVEL OF FIREBRICKS.

DO NOT BUILD THE FIRE NEAR THE DOOR GLASS.

- 7) Close the door slightly and leave the wood burning.
- 8) Once the fire gets stable, close the door completely.
- 9) Adjust the air admission handle if necessary.

NEVER LEAVE THE STOVE UNATTENDED WHEN THE DOOR IS SLIGHTLY OPEN. ALWAYS CLOSE THE DOOR AFTER ADDING A LOAD.

CAUTION: NEVER USE GAZOLINE, GAZOLINE TYPE LANTERN FUEL, KEROSEN, CHARCOAL LIGHTER FLUID OR SIMILAR LIQUID TO START AND “FRESHEN UP” THE FIRE IN THIS HEATER. KEEP ALL SUCH LIQUIDS AWAY FROM THE HEATER WHILE IT IS IN USE.

Operation of cooking holes

Cooking holes have removable covers so that you can take them off and put skillets directly over the heat from the smoke. To take off the covers, you have to use the handle provided for this purpose.

To open a cooking hole:

- 1) Take the handle.
- 2) Insert the end of the handle into the opening of the cooking hole cover.

- 3) Tilt the handle to the outside and lift up the opposite side of the cooking hole cover.
- 4) Lift the cover and place it by the hole.
- 5) Bring back the handle to safe position.
- 6) Put your cooking pan over the cooking hole to cover the entire hole.

To close the cooking hole:

- 1) Take the cooking hole handle and insert the end of the handle into the opening of the cooking hole plate.
- 2) Bring back the cover to the cooking hole.
- 3) Put back the handle to safe position.

WARNING:

- **DO NOT SUPPLY WOOD TO FIRE FROM THE COOKING HOLE.**
- **THE COOKING HOLE COVERS MUST BE IN PLACE AT THE MOMENT OF LIGHTNING AND AS LONG AS THE CHIMNEY IS COLD.**
- **IF THE COOKING HOLE COVERS ARE HOT, LEAVE THEM ON THE SURFACE OF THE STOVE.**
- **TO AVOID SKIN BURN, NEVER LEAVE THE COOKING HOLE HANDLE ON THE STOVE AND STORE IT IN THE STORAGE HOLE.**
- **AVOID USING NON-STICK COOKWARE DIRECTLY OVER THE COMBUSTION CHAMBER. THEY ARE NOT RESISTANT TO THE EXTREME HEAT FROM THE COMBUSTION CHAMBER AND THEY CAN BE DAMAGED.**
- *Keeping the door open is not advised. When the appliance is heated, sparks may come out of the hearth. A fire runaway may be created causing the appliance and flue pipes to overheat.*

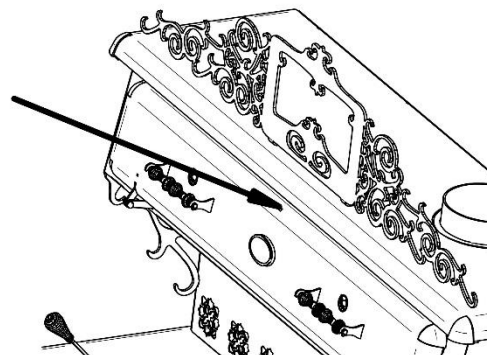
Opening and closing of warming oven

The spring handles of warming oven are decorative purpose only. When the cook stove is hot, it is strongly recommended to use the cooking cover handle. There is an opening made for this purpose at the top of the warming oven door.

To operate the spring handle of warming oven, use isolated mitts.

WARNING:

- **WHEN THE COOK STOVE IS HOT, THE SPRING HANDLE ON THE WARMER MAY CAUSE SKIN BURN.**

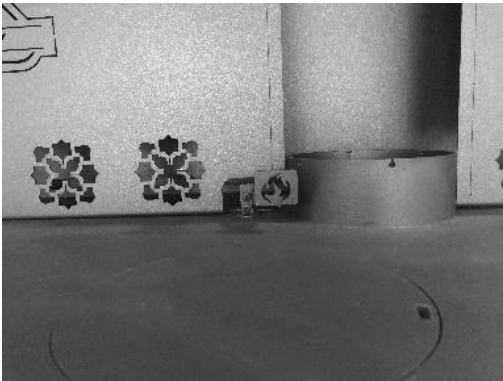


Usage of oven for cooking

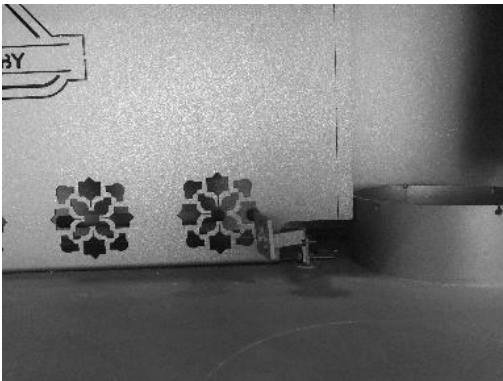
The CUISINIERE cook stove can cook food in the oven part. The heat is transferred from the wall between the stove and the oven. To accelerate the heating, there is a deflection damper right by the chimney collar which allows smoke to warm up the back and the top of the oven.

When the handle is at the open position (you see the flame on the deflection damper), the smoke goes directly towards the chimney. When at the closed position you will no longer see the flame (the deflection damper is turned completely to the left), the smoke goes at the back and at the bottom of the oven.

Damper open



Damper close



To open and close the valve, use the cooking cover handle.

There is a thermometer installed on the glass to see the temperature of the oven.

Wood storage

Keep wood 36 inch (91cm) away from the cook stove.

NEVER STORE WOOD UNDER THE COOK STOVE.

Maintenance

Ash Removal

The wood burning make some residual called ash and it must be removed from the combustion chamber to help oxygen circulation.

The ash has to be removed periodically every 2 or 3 days during heavy warming period. Never leave excessive accumulation into the combustion chamber because it can reduce performances of your stove by limiting the air circulation between logs.

The best time to remove ash is after a long warming period, as in a morning, when the stove is relatively cold enough to manipulate ash and the chimney is still hot. The hot chimney draft will vacuum the dust inside the stove.

To remove ash from the combustion chamber, you must have the following tools:

- Ash shovel,
- Ash brush,
- A metal bucket with airtight lid or similar product for this purpose.

Some embers are mixed with ash and remain lit a few hours or even a few days. It is therefore very important that the metal bucket has an airtight lid. The bucket must be put on a non-combustible tile or brick.

Ash Disposal

Some embers are mixed with ash and can remain lit. If embers have enough oxygen, it can stay lit some hours and even some few days.

It's therefore mandatory to store ash:

- In a hermetic metal container with an airtight lid,
- Outside the house on a non-combustible material,
- Far enough any combustible material, inflammable liquid and vapor.

If the ash is disposed of by burial in soil or otherwise locally dispersed, they should be retained in the closed container until all cinders have thoroughly cooled.

NEVER PUT WASTE INTO THE ASH CONTAINER.

Creosote Formation

When wood is burning slowly, it produces tar and other organic vapors which are combined with expelled moisture to form creosote. The creosote vapor is condensed in the cold chimney and, as a result, creosote residue accumulates on the flue lining. When it burns, the creosote releases intense heat and it might result in a chimney fire.

The chimney connector and chimney should be inspected at least once every two months during the heating season to determine if a creosote buildup has occurred.

Chimney Inspection

Wood moisture, wood species and the combustion quality are the factors that can influence the speed of creosote buildup into chimney and chimney connector.

The chimney and the chimney connector must be inspected at least one every two months during the warming season. You can call a Chimney sweeper to evaluate the creosote formation or you can do it yourself. Extinguish the wood stove and wait until it gets cool. Then unscrew the chimney connector to verify it. Inspect the factory build chimney with a spot light to see if a creosote buildup has occurred. For a masonry chimney, insert a mirror in the cleanout opening at the bottom. For an outdoor factory build chimney, open the cap at the bottom of chimney to inspect inside. It is preferable to do the inspection on a sunny day so that you would have enough light.

With creosote buildup of 1/8 inch (3 mm) or more, the diameter gets so small that you cannot see the chimney cap. It's a sign that it is time to sweep your chimney and remove creosote in order to avoid a chimney fire.

Chimney Sweeping

Chimney Sweeping needs special tools like some glass fiber rods and a suitable brush to the chimney's diameter.

It also requires going up on the roof to remove the chimney cap and even a part of the chimney in case that your chimney exceeds 5 feet from the roof.

We recommend calling a Professional chimney Sweeper certified by APC in Quebec, the WETT in the rest of Canada or by NFI in United States.

Door maintenance

The door is the mobile element that needs a special attention. Its tightness is primordial. If you see the white soot sticking on the door glass and on the surface where the air passes, it is the time to change the braided glass fibre rope.

Air Tighten Adjustment

If the braided glass fiber rope still seems good enough but little flatten, it needs probably to be stuck against the door.

Door adjustment (hinges side)

Important: To keep squareness of the door, keep the door locked and loosen only one hinge at a time.

- 1) Loosen lightly upper hinge
- 2) Push the door against the stove so that the glass fibre rope is flattened.

- 3) Keeping the door pressed against the stove, tighten the upper hinge.
- 4) Loosen lightly lower hinge.
- 5) Push the door against the stove so that the glass fibre rope is flattened.
- 6) Keeping the door pressed against the stove, tighten the lower hinge.
- 7) Open the door and slide a piece of paper in the gap in the door, then close the door.
- 8) If you can easily pull out the paper without tearing, please repeat the previous steps.
- 9) Even after several attempts, if the paper comes off easily, the braided glass fiber rope must be changed.

Door adjustment (right side)

You can do this adjustment with the screw under the door near the hook hole.

- 1) Unlock and open the door.
- 2) With a square-headed screwdriver, turn clockwise the adjustment screw a quarter turn.
- 3) Put a piece of paper between the stove and braided glass fiber rope, then close and lock the door.
- 4) If the paper easily comes out when you pull it, repeat step 1 to 3 again.
- 5) If the screw is completely tightened and the paper comes out easily, you have to change the braided glass fiber rope.

Some models might have two screws apart on the front face. These must not be unscrewed in any case. They hold the rolling mechanism to lock the door.

Cleaning up glass

To clean the door glass, J.A. Roby Inc. recommends using products for this purpose or an oven cleaner only for glass part.

- Avoid cleaning hot glass and cleaning with abrasive. Cleaning hot glass can cause a thermal shock and brake the glass.

Disassembly and reassembly of door

Do not unscrew the lower hinge when disassemble the door.

- 1) Keep the door locked.
- 2) Loosen the upper hinge without removing the nut.
- 3) Unlock the door and open it while holding it.
- 4) Tilt the door slowly downward to remove the upper hinge
- 5) Lift the door and remove the lower hinge.

Installing the door

- 1) Insert the bottom hinge and bring up the door. Place the nail in the upper hinge.
- 2) Close and lock the door, then make sure the door is placed horizontally.
- 3) Tighten the upper hinge and align the washer with the hinge support.
- 4) Carry out the air tighten adjustment.

Replacing broken glass

- **Do not hit the glass to avoid breaking it.**
- **Do not pour water. It might cause thermal shock.**
- **Do not slam the door.**
- **Do not build fire too close the door.**

WARNING: NEVER USE THE STOVE WHEN THE GLASS IS BROKEN OR CRACKED.

Replace only with a 4 mm ceramic glass with the right shape. Contact your retailer to get the replacement glass panel.

DO NOT USE SUBSTITUTE

How to replace the glass

- 1) Loosen partially the screws retaining the four glass supports.
- 2) Remove the broken pieces of glass and clean the door.
- 3) There must be a flat glass fibre rope for airtightness around the glass. You have to install new one in case of loss or damage. The flat glass fiber rope is self-adhesive. Stick it around the glass without pressing it excessively.
- 4) Install the new glass panel and replace the lower support first and gently tighten screw. If you tighten it too much, it might make a pressure point and break the glass when it becomes hot. Then press gently the glass fibre rope against the door.
- 5) Install the upper support and tighten the screws gently but not too tight.
- 6) Check all the screws.

If it is impossible to replace the glass in vertical position, you may have to remove the door. Refer to the section concerned in this manual.

Replacing glass fiber rope

When the braided glass fibre rope is all flattened out, it becomes impossible to close the door hermetically. This means that the glass fibre rope is no longer usable or that the rope is damaged. You must therefore replace it.

Use a ½ inch (12.7mm) braided glass fiber rope.

It is preferable to detach the door from the stove when you replace the rope. Refer to the section concerned in this manual.

Glass fiber rope preparation

- 1) Take the end of the glass fiber rope and tuck fiber inside to make a clean end.
- 2) Put little amount of high temperature sealant, such as latex or silicone, at the end of the fiber glass rope so that it won't come loose.
- 3) Remove old glass fiber rope from the door and clean the groove.
- 4) Starting from the lower corner near the hinge, put the glass fiber rope into the groove without giving any tension. Verify the length of rope.
- 5) Cut it ½ inches over the require length and repeat step 1 and 2.

Glass fiber rope installation

- 1) Put a high temperature sealant in the clean groove to glue the glass fiber rope.
- 2) Place glass fiber rope into the groove starting from the lower corner near the hinge without giving any tension
- 3) Glue the two glasses fiber rope ends with high-temperature sealant to make a right angle.
- 4) Let dry the sealant for at least 48 hours before use. Reassemble the door on the hinges if you uninstall it and readjust the airtightness.

What to do in case of Chimney Fire

Contact your local authority to know what to do in case of Chimney fire. Keep in mind the procedure in case of chimney fire.

1. Close all the doors, the air intakes and the vent damper
2. Pour water on combustible material around stove.
3. Call the fire department and trigger alarm. Leave the house if necessary.
4. Never touch the chimney and pipes before the fire is completely extinguished.
5. Do not use the chimney before it has been inspected and repaired.

Blowers

We cannot install blower on cookstove.

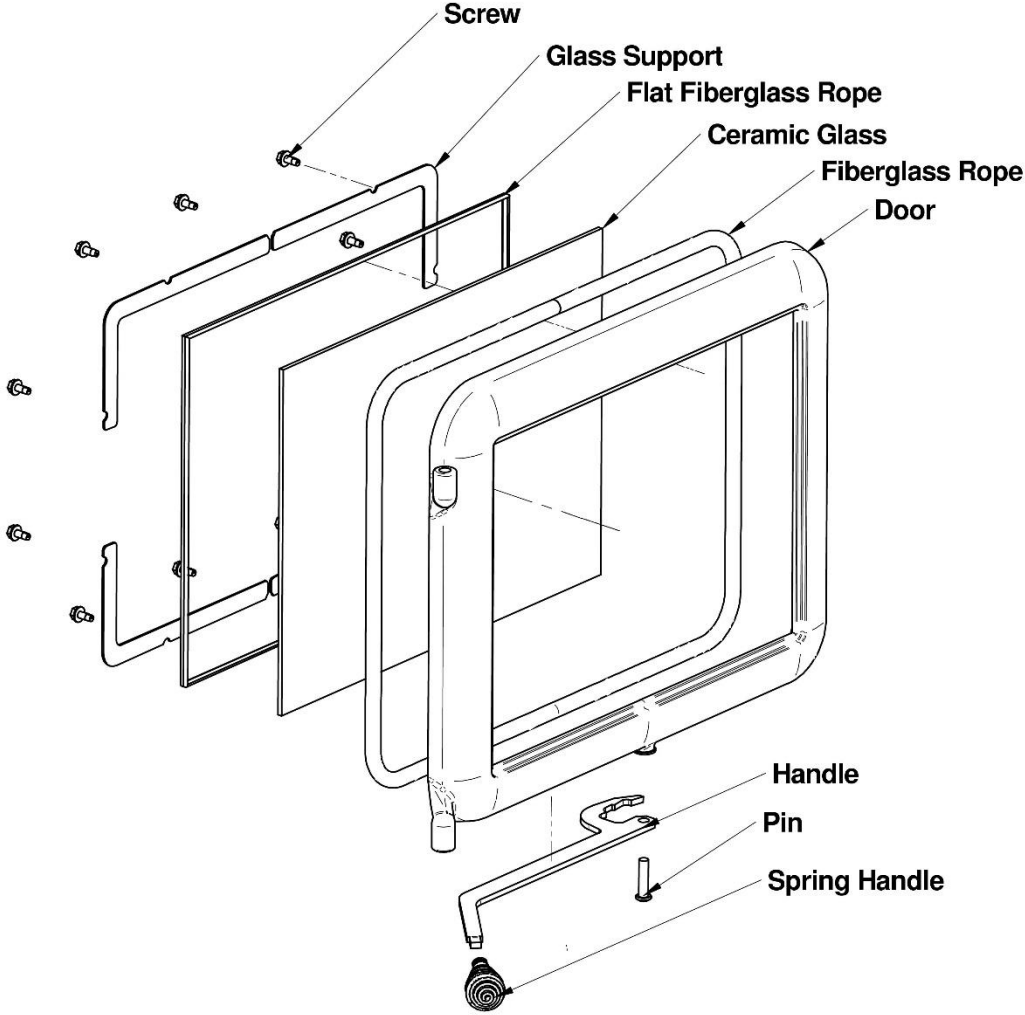
The efficiency of the appliance can be lower than the specification when the blower is not in function or is not installed.

DO NOT CONNECT TO OR USE IN CONJUNCTION WITH ANY AIR DISTRIBUTION DUCTWORK UNLESS SPECIFICALLY APPROVED FOR SUCH INSTALLATIONS

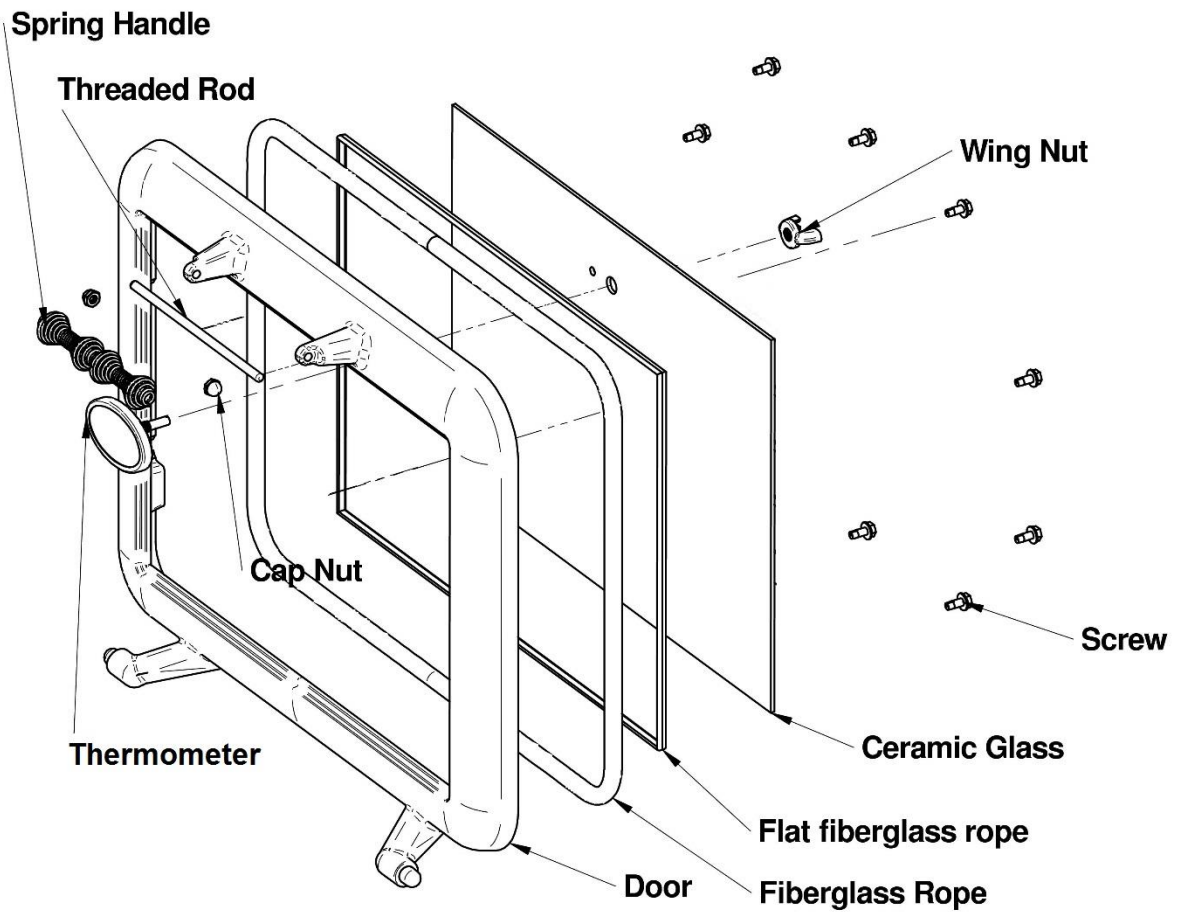
Annex 1

Door assembly Wood Stove Door

*The same assembly for an arc wood stove



Oven Door



Annexe 2

Replacement parts

- Bricks
- Stove ceramic glass
- Tempered glass oven door
- Spring Handle
- Stove door
- Oven door
- Fans
- Flat glass fiber rope (around glass)
- Round glass fiber rope
- Ash plug
- Slotted Brick Washer

Call your sales representative to order these parts.



J. A. Roby Limited Lifetime warranty

WOOD BURNING STOVES & FIREPLACES

J. A. ROBY’s warranty only applies to original buyer and is non-transferable. This warranty covers brand new products only, which have not been altered, modified nor repaired since shipment from factory. The products covered by this warranty must be manufactured after review date indicated at the bottom of page. Proof of purchase (dated bill of sale), model name and serial number must be given when making any warranty claim to J. A. ROBY. Registering your warranty is not required.

The appliance must be installed by an authorized service technician or contractor. Installation must be done in accordance with the installation instructions included with the product and all local and national building and fire codes. Any service call related to an improper installation is not covered by this warranty. This warranty applies to normal residential use only. This limited warranty does not cover damages caused by misuse, improper installation, lack of maintenance, accident during transportation, alterations, power failure, venting problems, downdrafts, abuse, over firing or neglect. Operating the appliance on high for extended periods of time is neglect. Any defect or damage caused by the use of unauthorized parts or others than original parts voids this warranty.

This limited warranty does not cover any scratch, corrosion, warping or discoloration. The manufacturer may require that defective products be returned and/or that digital pictures be provided to support the claim. Returned products are to be shipped prepaid to the manufacturer for investigation. If a product is found to be defective, the manufacturer will repair or replace such defect. The transportation fees to ship back the product to the purchaser will be paid by the manufacturer². The external labour fees related to warranty repair are not covered. The manufacturer may, at its discretion, decide to repair or replace any part or unit after inspection and investigation of the defect. The manufacturer may, at its discretion, fully discharge all obligations with respect to this warranty by refunding to the original warranted purchaser the wholesale price of any warranted but defective part (s). The manufacturer shall not in no event be liable for any special, indirect or consequential damages of any nature whatsoever which exceeds the original purchase price of the product. All parts replaced under this limited lifetime warranty are subject to a single claim.

Any damage to the appliance, combustion chamber, heat exchanger, enameled cast iron cooking plate or other components due to water, weather damage, long periods of dampness, condensation, damaging chemical or cleaner will not be the responsibility of J. A. ROBY. Failure of any components which is attributed to poor maintenance, is not warrantable and will not be covered by this policy. J.A. ROBY neither assumes, nor authorizes any third party to assume, on its behalf, any other liabilities with respect to the sale of this product.

The manufacture of your new appliance and the following materials are warranted against defects as mentioned below:

WARRANTY DESCRIPTION	100%	50% current retail price
Ashtray, handles, doors and cast iron legs	Life	
Combustion chamber	5 years	From 5 years to life
Secondary air tubes	5 years	
Heat exchanger	2 years	From 2 years to life
Switches, Therm-O-Disc, wiring and electrical components, standard blowers and rheostat	2 years	
Tempered glass, optional blower and gasket	1 year	
Ceramic glass (thermal breakage only ¹)	1 year	
Replacement parts (with proof of purchase)	90 days	

Due to on-going product improvements, all specifications and design are subject to change without prior notice.

Before shipping your unit or defective component to our plant, you must obtain from J. A. ROBY an authorization number. Any merchandise shipped to our plant without authorization will be refused automatically and returned to sender.

1= Digital pictures required 2= Shipping cost are not covered outside CANADA

Review oct. 2014

490, rue de L'Argon, Québec, (Qué.), G2N 2C9
Tél.: (418) 849-8095 Fax.: (418) 849-0077 Internet.: www.jaroby.com