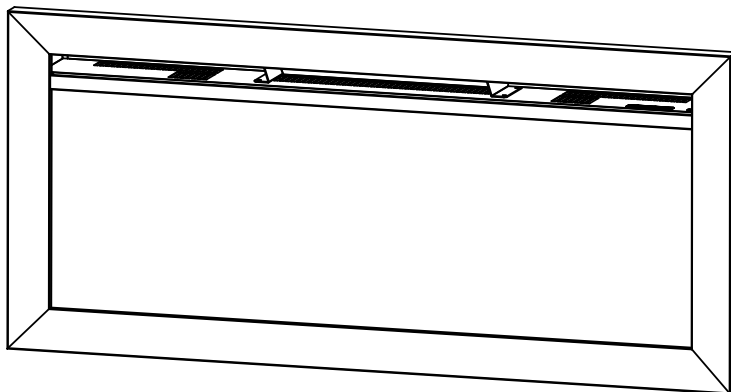


Allusion Slim Series:

Models:

SF-ALLS40
SF-ALLS50
SF-ALLS60
SF-ALLS72



NOTICE



DO NOT DISCARD THIS MANUAL

- Important operating and maintenance instructions included.
- Read, understand and follow these instructions for safe installation and operation.
- Leave this manual with party responsible for use and operation.

**DO NOT
DISCARD**

Congratulations!

Congratulations on selecting a SimpliFire Electric Fireplace, an elegant and clean alternative to wood & gas burning fireplaces. The SimpliFire electric fireplace you have selected is designed to provide the utmost in safety, reliability, and efficiency.

READ CAREFULLY BEFORE ATTEMPTING TO ASSEMBLE, INSTALL, OPERATE, OR MAINTAIN THIS PRODUCT.

PROTECT YOURSELF AND OTHERS BY OBSERVING ALL SAFETY INFORMATION. FAILURE TO COMPLY WITH INSTRUCTIONS COULD RESULT IN PERSONAL INJURY AND/OR PROPERTY DAMAGE.

⚠ WARNING: To reduce risk of fire, electrical shock, or personal injury, read all instructions before using appliance.

SimpliFire, a brand of Hearth & Home Technologies
7571 215th Street West, Lakeville, MN 55044
www.hearthnhome.com

1 Important Instructions

IMPORTANT SAFETY INSTRUCTIONS

WARNING! Risk of Fire! Risk of Burns! Risk of Electrical Shock!

DO NOT:

- Install or operate damaged appliance
- Modify appliance
- Operate the appliance without fully assembling all components

Hearth & Home Technologies disclaims any responsibility for, and the warranty and agency listing will be voided by the above actions.

WARNING! DO NOT operate appliance before reading and understanding operating instructions. Failure to operate appliance according to operating instructions could cause fire or injury.

WARNING! Improper installation, adjustment, alteration, service or maintenance can cause injury or property damage. Failure to install appliance according to Owner's Manual could cause property damage or injury.

NOTICE! This appliance is not intended for use as a primary heat source and should not be factored as such in residential heating calculations.

When using electrical appliances, basic precautions should always be followed to reduce the risk of fire, electric shock, and injury to persons, including the following:

- Read all instructions before installing this appliance.
- This appliance is hot when in use. To avoid burns, do not let bare skin touch hot surfaces. Keep combustible materials such as furniture, pillows, bedding, papers, clothes, etc., and curtains at least 3 ft. (0.9 m) from the front of the appliance and keep them away from the sides and rear.
- Extreme caution is necessary when any appliance is used by or near children or other at risk individuals and whenever the appliance is left operating and unattended.
- Do not operate any appliance if it malfunctions. Disconnect power at service panel and have appliance inspected by a reputable electrician before reusing.
- Do not insert or allow foreign objects to enter any ventilation or exhaust opening as this may cause an electric shock, fire, or damage the appliance.
- To prevent a possible fire, do not block appliance fan air intakes or exhaust in any manner.
- A heater has hot and sparking parts inside. Do not use it in areas where gasoline, paint, flammable vapors or liquids are used or stored.
- Use this appliance only as described in this manual. Any other use not recommended by the manufacturer may cause fire, electric shock, or injury to persons.
- Do not operate any appliance with a damaged cord, plug after the appliance malfunctions, has been dropped or damaged in any manner. Return appliance to authorized service facility for examination, electrical or mechanical adjustment or repair.
- Do not use outdoors.
- Never locate appliance where it may fall into a bathtub or water container.
- Do not run cord under carpeting. Do not cover cord with throw rugs, runners, or the like. Arrange cord away from traffic areas and where it will not be tripped over. Do not tightly coil cord.
- Always use properly grounded, fused and polarized outlets.
- Always use ground fault protection where required by electrical code.
- To disconnect appliance, turn controls to "OFF" then remove plug from outlet.
- Always disconnect power before performing any cleaning, maintenance or relocation of the appliance.
- To prevent electrical shock or fire, always use a certified electrician should new circuits be required.
- When transporting or storing the appliance, keep in a dry place free from excess vibration to avoid damage.
- Avoid use of an extension cord because an extension cord may overheat and cause a fire. However if you have to use an extension cord, the cord should be No. 14 AWG minimum size and rated to not less than 1875 watts.

SAVE THESE INSTRUCTIONS

▲ Safety Alert Key:

- **WARNING!** Indicates a hazardous situation which, if not avoided could result in death or serious injury.
- **CAUTION!** Indicates a hazardous situation which, if not avoided, could result in minor or moderate injury.

Table of Contents

Congratulations!	1
------------------------	---

1 Important Instructions

A. Warranty	4
-------------------	---

2 General Information

A. Appliance Certification	6
B. Unpacking and Inspecting Appliance	6
C. Model and Serial Number Information	6

3 Getting Started

A. Parts and Hardware	7
B. Tools and Supplies Needed	7
C. Appliance Dimensions	8
D. Location	9
E. Clearance to Combustibles	9
F. Electrical Supply Information - Preparation and Installation	9

4 Installation

A. Appliance Preparation	13
B. Recessed Installation into a Finished Wall	13
C. Direct Wall Mounting with Wall Mounting Bracket	14
D. Appliance Final Setup	16

5 Operating Instructions

A. Manual Switch Function	18
B. Operating by Remote Control	19
C. Room Temperature and Thermostat Function	20
D. Resetting Temperature Cutoff Switch	20
E. Setting Retention	20

6 Maintenance

A. Maintenance	21
B. Cleaning	21
C. Servicing	21
D. SimpliFire Troubleshooting Guide	22
E. Service Parts List	24
F. Contact Information	28

→ = Contains updated information.

A. Warranty

Hearth & Home Technologies LLC LIMITED WARRANTY

Hearth & Home Technologies LLC (“HHT”) extends the following warranty for HHT gas, wood, pellet and electric hearth appliances (each a “Product” and collectively, the “Product(s)”) and certain component parts set forth in the table below (“Component Part(s)”) that are purchased from a HHT authorized dealer or distributor.

WARRANTY COVERAGE:

HHT warrants that the Products and their Component Parts will be free from defects in materials and workmanship for the applicable period of Warranty coverage set forth in the table below (“Warranty Period”). If a Product or Component Parts are found to be defective in materials or workmanship during the applicable Warranty Period, HHT will, at our discretion, repair the applicable Component Part(s), replace the applicable Component Part(s), or refund the purchase price of the applicable Product(s). The maximum amount recoverable under this Warranty is limited to the purchase price of the Product. This Warranty is transferable from the original purchaser to subsequent owners, but the Warranty Period will not be extended in duration or expanded in coverage for any such transfer. This Warranty is subject to conditions, exclusions, and limitations as described below.

WARRANTY PERIOD:

Warranty coverage begins at the date of installation. In the case of new home constructions, Warranty coverage begins six months after invoice of the final sale of the Product(s) by an independent, authorized HHT dealer or distributor. However, the Warranty coverage shall commence no later than 24 months following the date of Product shipment from HHT, regardless of the installation or purchase date.

Warranty Period		HHT Manufactured Appliances and Venting					
Component Parts	Labor	Gas	Pellet	Wood	Electric	Component Parts Covered by this Warranty	
1 Year		X	X	X		All parts including handles, external enameled components and other material except as covered by Warranty Conditions, Warranty Exclusions, and Warranty Limitations listed	
2 Years					X	All parts except as covered by Warranty Conditions, Warranty Exclusions, and Warranty Limitations listed	
			X	X		Glass, Electrical components limited to heating element/igniters, Top feed auger assembly, Blowers, Junction Box, Remotes/Wall switches, linear actuator, power cord, vacuum switch, snap disc, wire harnesses and thermocouple	
		X				Electrical components limited to modules, remotes/wall switches, valves, pilots, blowers, junction boxes, wire harnesses, transformers and lights (excluding light bulbs)	
		X		X		Cement Refractory Panels, Glass Liner Panels	
3 years			X			Firepots, burnpots, Harman mechanical feeders	
5 years		X		X		Catalysts, Vented and Vent Free burners and logs	
10 years	1 year	X				Burners, logs and metal/fiber refractory components of HHT manufactured fireplaces or stoves, venting due to poor workmanship	
10 years	3 years		X	X		Castings, Medallions & Baffles, FlexBurn® System (engine, inner cover, access cover and fireback), Firebox and heat exchanger, HHT Chimney & Terminations, Manifolds	
20 years	3 years	X				Firebox and heat exchanger	
All purchased replacement parts and optional accessories							
1 Year	None	X	X	X	X	All purchased replacement parts and optional accessories	

WARRANTY CONDITIONS:

- Because HHT cannot control the quality of any Products sold by unauthorized sellers, this Warranty only covers Products that are purchased through an HHT authorized dealer or distributor unless otherwise prohibited by law; a list of HHT authorized dealers is available on the HHT branded websites.
- This Warranty is only valid while the applicable Product remains at the site of original installation.
- This Warranty is only valid in the country in which the HHT authorized dealer or distributor that sold the applicable Product is authorized to sell applicable Product.
- Contact your installing distributor or dealer for Warranty service. If the installing dealer or distributor is unable to provide necessary parts, contact the nearest HHT authorized dealer or supplier. Additional service fees may apply if you are seeking Warranty service from a dealer other than the dealer from whom you originally purchased the applicable Product.
- No HHT consumer should bear cost of warranty service or costs incurred while servicing warranty claims (i.e., travel, gas, or mileage) when the service is performed within the terms of this Warranty. Check with your dealer or distributor in advance for any costs to you when arranging a warranty call. Travel and shipping charges for parts are not covered by this Warranty.

WARRANTY EXCLUSIONS:

This Warranty does not cover the following:

- Changes in surface finishes as a result of normal use. As a heating appliance, some changes in color of interior and exterior surface finishes may occur. This is not a flaw and is not covered under the Warranty.
- Damage to printed, plated, or enameled surfaces caused by fingerprints, accidents, misuse, scratches, melted items or other external sources and residues left on the plated surfaces from the use of abrasive cleaners or polishes.
- Repair or replacement of parts that are subject to normal wear and tear during the Warranty Period are not covered. These parts include: paint, wood and pellet gaskets, firebricks, wood grates, flame guides, batteries and the discoloration of glass.
- Minor expansion, contraction, or movement of certain parts causing noise. These conditions are normal and complaints related to this noise are not covered by this Warranty.
- Damages resulting from: (1) failure to install, operate, or maintain the applicable Product in accordance with the installation instructions, operating instructions, and listing agent identification label furnished with the applicable Product; (2) failure to install the applicable Product in accordance with local building codes; (3) shipping or improper handling; (4) improper operation, abuse, misuse, continued operation with damaged, corroded or failed components, accident, or improperly/incorrectly performed repairs; (5) environmental conditions, inadequate ventilation, negative pressure, or drafting caused by tightly sealed constructions, insufficient make-up air supply, or handling devices such as exhaust fans or forced air furnaces or other such causes; (6) use of fuels other than those specified in the operation instructions; (7) installation or use of components not supplied with the applicable Product or any other components not expressly authorized and approved by HHT; (8) modification of the appliance not expressly authorized and approved by HHT in writing; and/or (9) interruptions or fluctuations of electrical power supply to the applicable Product.
- Non-HHT venting components, hearth connections or other accessories used in conjunction with the applicable Product.
- Any part of a pre-existing fireplace system in which an insert or a decorative gas applicable Product is installed.
- HHT's obligation under this Warranty does not extend to the Product's capability to heat the desired space. Information is provided to assist the consumer and the dealer in selecting the proper Product for the application. Consideration must be given to the Product location and configuration, environmental conditions, insulation and air tightness of the structure.

This warranty is void if:

- The applicable Product has been over-fired, operated in atmospheres contaminated by chlorine, fluorine, or other damaging chemicals. Over-firing can be identified by, but not limited to, warped plates or tubes, deformation/warping of interior cast iron structure or components, rust colored cast iron, bubbling, cracking and discoloration of steel or enamel finishes.
- The applicable Product is subjected to prolonged periods of dampness or condensation.
- There is any damage to the applicable Product due to water or weather damage which is the result of, but not limited to, improper chimney or venting installation.

LIMITATIONS OF REMEDIES AND LIABILITY:

- **EXCEPT TO THE EXTENT PROVIDED BY LAW, HHT MAKES NO EXPRESS WARRANTIES OTHER THAN THE WARRANTY SPECIFIED HEREIN. The owner's exclusive remedy and HHT's sole obligation under this Warranty or in contract, tort or otherwise, shall be limited to, at HHT's sole option, replacement of the Component Part(s), repair of the Component Part(s), or refund of the original purchase price of the applicable Product(s). In no event will HHT be liable for any incidental or consequential damages caused by defects in the applicable Product. Some States do not allow the exclusion or limitation of incidental or consequential damages, so the above limitation or exclusion may not apply to you. This Warranty gives you specific legal rights and you may also have other rights which vary from State to State. THE DURATION OF ANY IMPLIED WARRANTY IS LIMITED TO DURATION OF THE EXPRESSED WARRANTY SPECIFIED ABOVE FOR THE APPLICABLE PRODUCT. Some States do not allow limitations on how long an implied warranty lasts, so the above limitation may not apply to you.**

2 General Information

A. Appliance Certification

MODELS: SF-ALLS40, SF-ALLS50,
SF-ALLS60, SF-ALLS72
LABORATORY: CSA International
TYPE: Electric Air-Heaters; Fixed and Location-Dedicated
Electric Room Heaters
STANDARD: CSA C22.2 No 46-2013; UL 2021 (4th Edition)

NOTICE: This installation must conform with local codes.


NOT INTENDED FOR USE AS A PRIMARY HEAT SOURCE.
This appliance is tested and approved as either supplemental room heat or as a decorative appliance. It should not be factored as primary heat in residential heating calculations.

Note: The device complies with Part 15 of the FCC Rules. Operation is subject to the following two conditions:

1. This device may not cause harmful Electromagnetic Interference (EMI).
2. This device must accept any interference received, including interference that may cause undesired operation.

This equipment uses and can radiate radio frequency energy and, if not installed and used in accordance with the instructions, may cause harmful interference to radio or television reception, which can be determined by turning the equipment off and on. The user is encouraged to try to correct the interference by one or more of the following measures:

- Increase the separation between the equipment and the receiver.
- Connect the equipment into an outlet on a circuit different from that to which the receiver is connected.

 **WARNING:** This product can expose you to Di-(2-ethylhexyl) phthalate, which is known to the State of California to cause cancer and reproductive harm. For more information go to: www.P65Warnings.ca.gov.

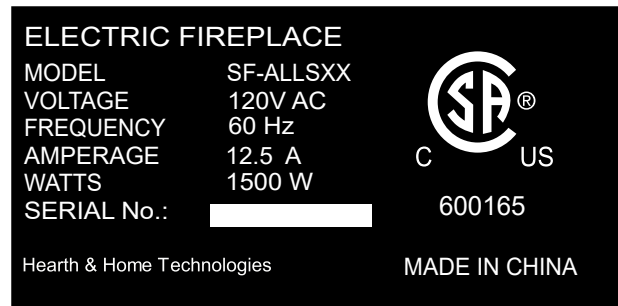
B. Unpacking and Inspecting Appliance

WARNING! DO NOT use this Electric Fireplace if any part has been under water. Immediately call a qualified service technician to inspect and to replace any part of the electrical system if necessary. Keep plastic wrapping away from children.

- Carefully remove the appliance and components from the packaging. Discard packaging.
- Carefully inspect components for any damage.
- Reference parts list to verify all parts have been received.
- Read all the instructions before starting the installation. Follow these instructions carefully during the installation to ensure maximum safety and benefit.

C. Model and Serial Number Information

The model and serial number information is located on the rating plate. The rating plate is located on the left side of the bottom face of the appliance.



Homeowner Reference Information

We recommend that you record the following pertinent information about your fireplace.

Model Name: _____ Date purchased/installed: _____

Serial Number: _____ Location of fireplace: _____

Dealership purchased from: _____ Dealer Phone: _____

Notes: _____

3 Getting Started

A. Parts and Hardware

Parts and Hardware List				
Part Description	Quantity			
	SF-ALLS40	SF-ALLS50	SF-ALLS60	SF-ALLS72
Appliance	1	1	1	1
Instruction Manual	1	1	1	1
Remote Control	1	1	1	1
AAA Battery	2	2	2	2
Power Cord	1	1	1	1
Clear Crystal Media	1 bag	1 bag	1 bag	1 bag
Black Crystal Media	1 bag	1 bag	1 bag	1 bag
Log Set	5 logs	6 logs	7 logs	9 logs
Side Panels	2	2	2	2
ST4x40 Screws (appliance to framing)	6	6	6	6
ST4x8 Screws (Front trim attachment)	2	2	2	2
Wall Mounting Bracket (Attached to appliance with two (2) M5x10 screws)	1	1	1	1
ST6x50 Screws (wall mount bracket to wall)	8	8	8	8
Masonry Anchor (UX8x51)	8	8	8	8
Toggle Bolt Anchor	8	8	8	8

B. Tools and Supplies Needed

Before beginning the installation, be sure that the following tools and building supplies are available.

- Tape measure
- Pliers
- Hammer
- Gloves
- Level
- Square
- Magnetic Phillips screwdriver
- Safety glasses
- Drill
- Type NM-B Wire Strain Relief
- 5/16 in. Drill Bit for 3/16 in. diameter toggle bolts
(Applicable if installing on drywall-sheathed walls)
- Masonry Drill Bit 5/16 in.
(Applicable if installing on masonry walls)
- Concrete screws, or anchors compatible with #10 x 1-1/2 in. long screws, 5/16 in. diameter pilot hole and rated minimum 150 lbs.
(Only applicable if installing on hollow concrete block wall)

C. Appliance Dimensions

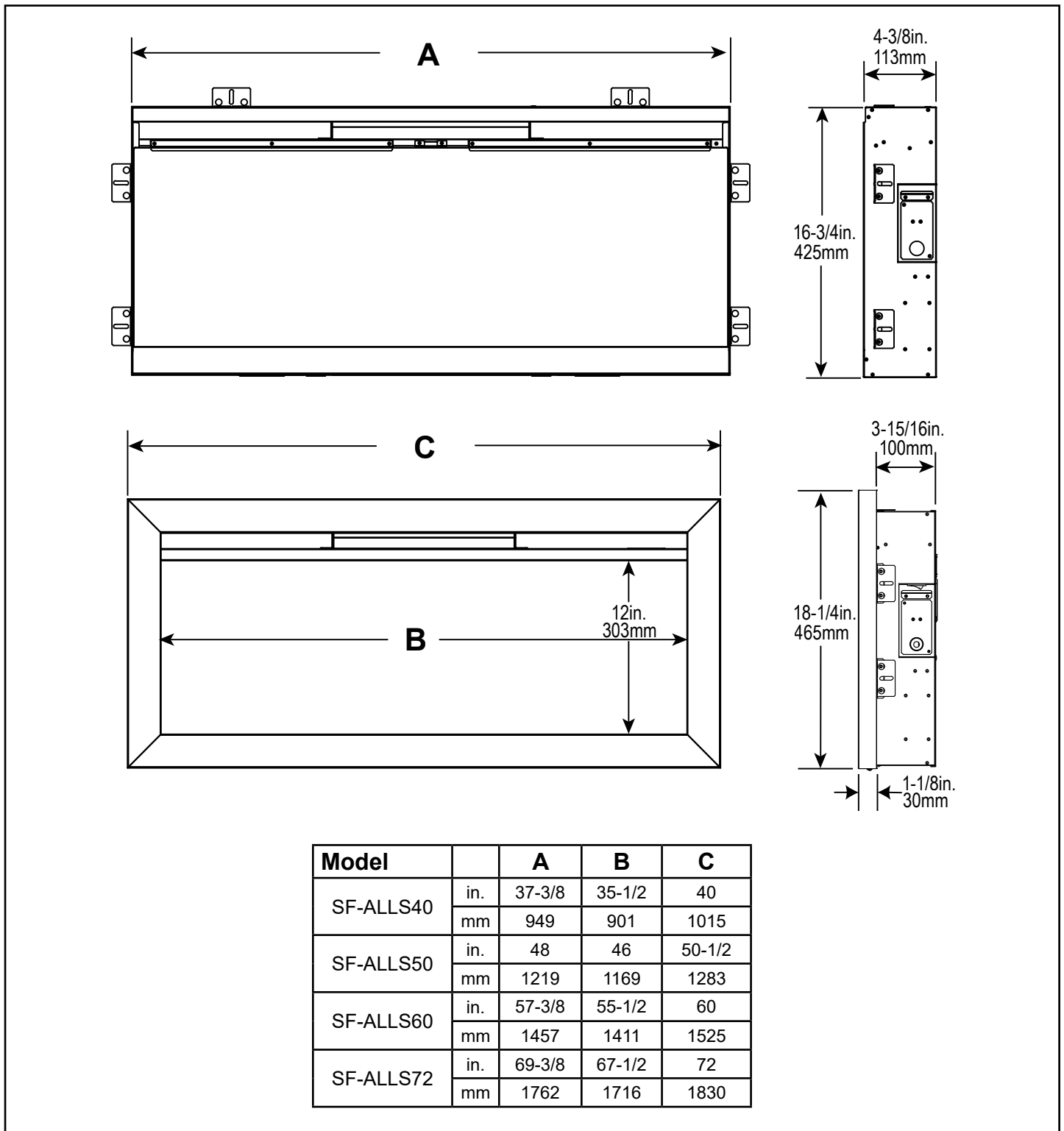


Figure 3.1 Appliance Dimensions

D. Location

Note: If this appliance is installed in a bathroom, it must be protected by GFI receptacle or circuit. If receptacle is used it must be readily accessible. This electrical appliance is not water tight. To prevent electrical shock, it must be installed as to prevent water from entering appliance. It must be installed away from showers, tubs, or other water sources. Never locate the appliance where it may fall into a bathtub or other water container.

When choosing a location for your appliance ensure that the following general rules are followed:

- For best results, install out of direct sunlight.
- Power supply service must be installed within proximity of electric fireplace prior to finishing to avoid reconstruction.
- Appliance should be mounted so the glass panel is located outside the swing arc of adjacent door.
- See Figure 3.2 and 3.3 to determine location of appliance installation.

E. Clearance to Combustibles

Minimum Clearance to Combustible Construction

Sides.....	0 in.
Floor.....	0 in.
Top.....	0 in.
Back.....	0 in.
Front.....	36 in.
Mantel.....	5/8 in.

See Figure 3.2.

WARNING! Risk of Fire! Keep electrical cords, drapery, furnishings or other combustibles at least 3 ft. (0.9 m) from the front of the electric fireplace, and away from the sides or rear.

F. Electrical Supply Information - Preparation and Installation

Plan the location of the appliance so that it will have adequate electric power. A minimum 15AMP, 120V/60Hz circuit is required (20AMP, 120V/60Hz recommended). Additional appliances on the same circuit as this appliance may exceed the current rating of that circuit. A dedicated circuit is not required, but is preferred to prevent circuit breaker trips or fuse failure.

Note: If mounting on a wall and using the supplied power cord, choose a location near an outlet so an extension cord is not required.

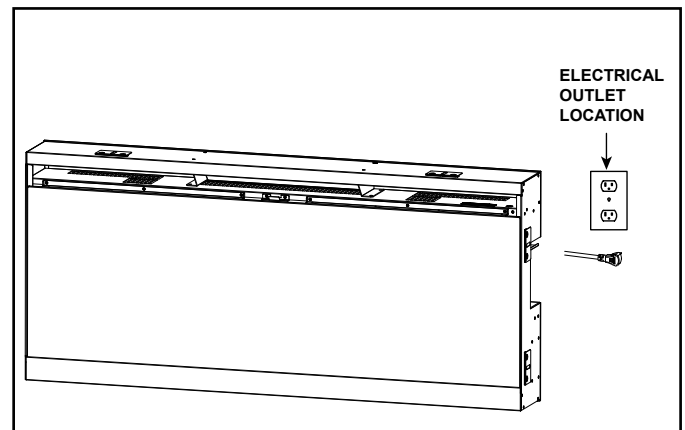


Figure 3.3 Electrical Outlet Location

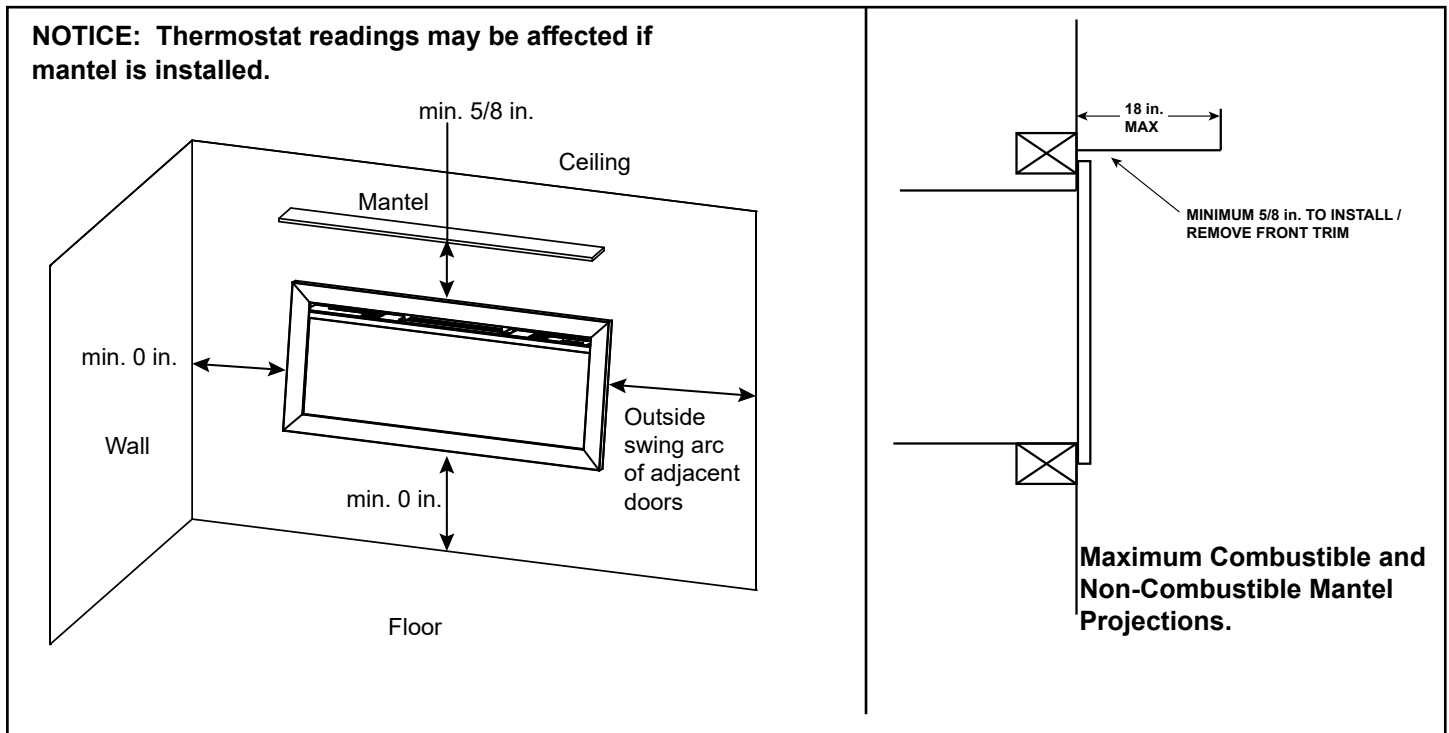


Figure 3.2 Location and Clearances Requirements

Note: All wiring must be completed prior to finishing the appliance installation.

All electrical connections shall be performed by a qualified electrician.

WARNING! Risk of Fire, Electrical Shock and Injury! Electrical wiring must comply with local building codes and other applicable regulations.

WARNING! Risk of Shock! Label all wires prior to disconnection when servicing the appliance. Wiring errors can cause improper and dangerous operation. Verify proper operation after servicing.

This appliance has been designed to be hard-wired for 120V. A supplied plug-in kit is also included for applications that will use an electrical outlet receptacle.

Hard-Wired Installation

Note: The appliance must be electrically connected and grounded in accordance with local codes.

1. Remove terminal block cover plate located on the right end of the appliance.
2. Install a wire strain relief bushing into the cover plate.
3. Terminate type NM-B wire to the terminal block, ensure connections are secure, and tighten the strain relief. To load wire conductors into the junction block, depress the spring-loaded terminals on the junction block by hand or use a screwdriver.
4. Replace terminal block cover plate and retaining screws.

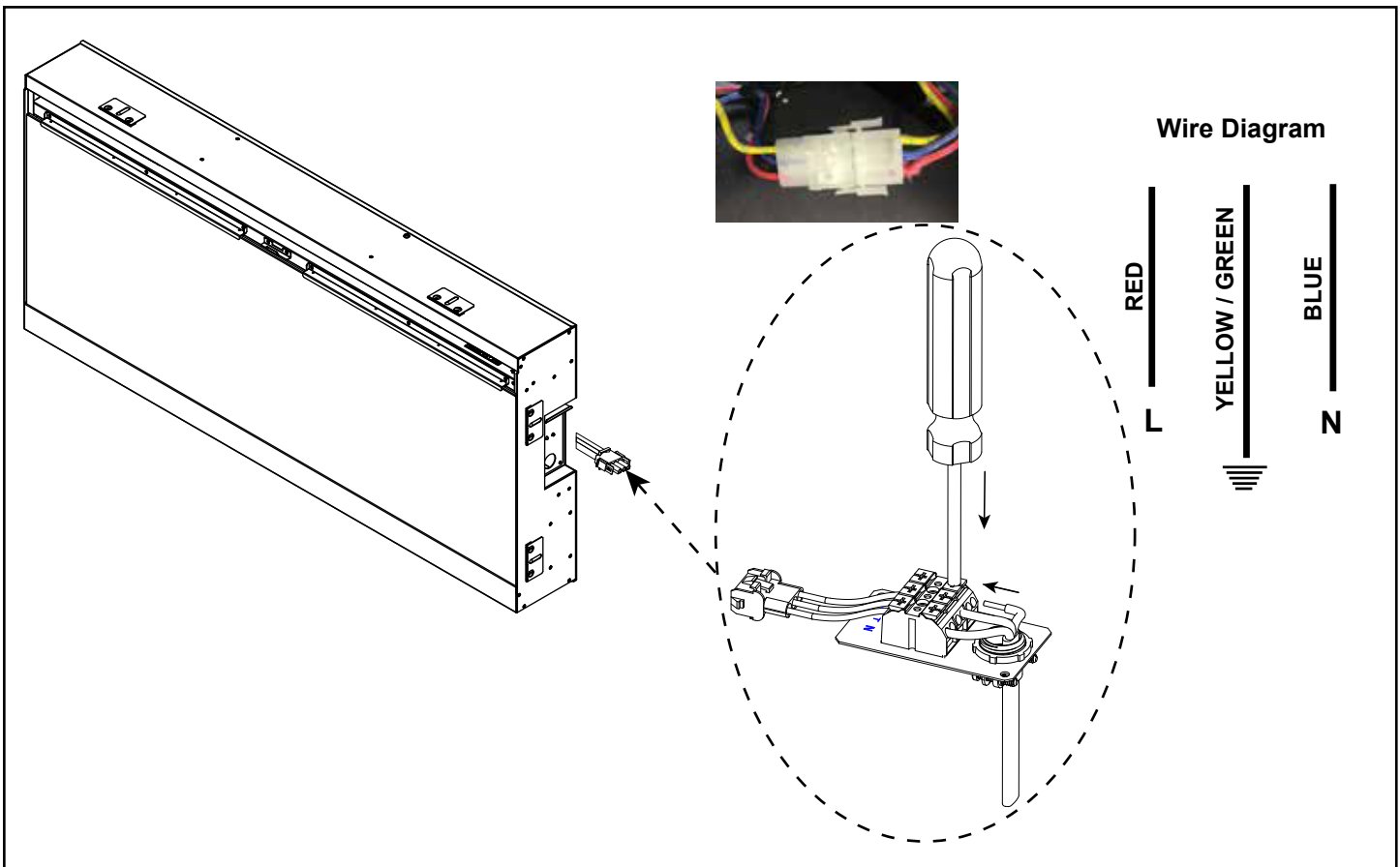


Figure 3.4 Hard-Wired Installation

Power Cord Installation

The appliance power cord has a three pin NEMA-5-15P plug. The power cord should not be used unless a grounded receptacle is available.

1. Remove the terminal block cover plate located on the right end of the appliance.
2. Disconnect the terminal block from the three wires inside the appliance. Wires are released by disconnecting the three conductor wire connector. Discard the terminal block cover plate.
3. Connect the three conductor wire connector to the connector on the block supplied with the power cord kit. See Figure 3.5.
4. Replace cord kit terminal block cover plate and retaining screws. Plug cord into nearest outlet. See Figure 3.3.

WARNING! Risk of Fire, Electrical Shock and Injury!
Ensure the power cord is not installed so that it is pinched or against a sharp edge and ensure that the power cord is stored or secure to avoid tripping and snagging.

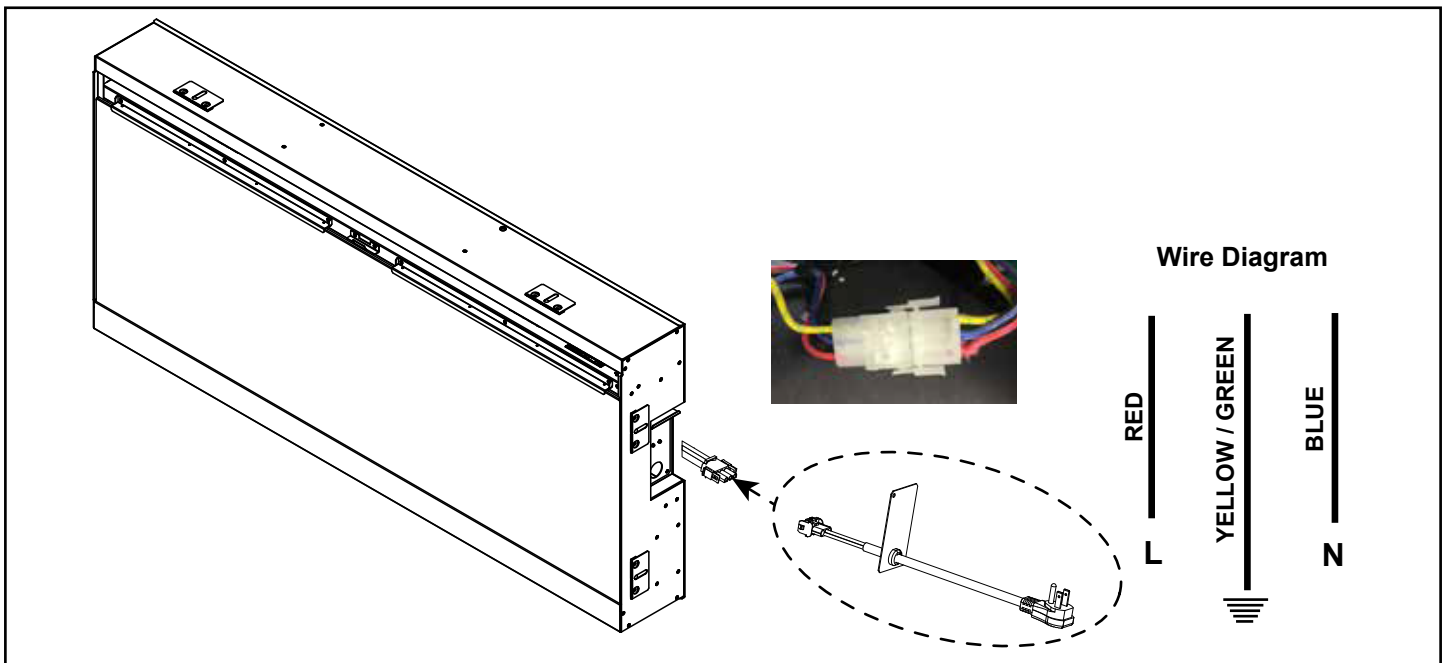


Figure 3.5 Optional Power Cord Installation

4 Installation

WARNING! Risk of Personal Injury or Property Damage! Failure to install the appliance as instructed below may result in damage to the equipment and/or may expose the user to the risk of fire, serious injury, illness or death.

NOTICE: These instructions are not substitutes for the requirements of local building codes.

There are two options for the appliance installation:

- Recessed Installation into a Finished Wall - Section 4.B.
- Mounted directly on the wall - Section 4.C.

The appliance can be recessed into the wall, but the front trim must overlap the opening in the wall construction. The front trim cannot be finished into the wall, or overlapped with any finishing materials. See Figure 4.1 for finishing clearances to the front trim.

When installed in a recessed opening on an exterior wall in cooler climates, a chase may be required by local building codes to accommodate insulation. The chase should be constructed in a manner of all outside walls of the home to prevent cold air drafting problems. The chase should not break the outside building envelope in any manner. Walls, ceiling, baseplate, and cantilever floor of the chase should be insulated. Vapor and air infiltration barriers should be installed in the chase as per regional codes for the rest of the home. Additionally, in regions where cold air infiltration may be an issue, the inside surfaces may be drywalled and taped (or equivalent method may be used) to achieve maximum air tightness.

NOTICE: Insulation and other loose materials must be secured to maintain the air clearance between the appliance and interior envelope of the wall opening. This will ensure that the appliance can circulate air to its room temperature sensor for maximum performance of the Thermostat function.

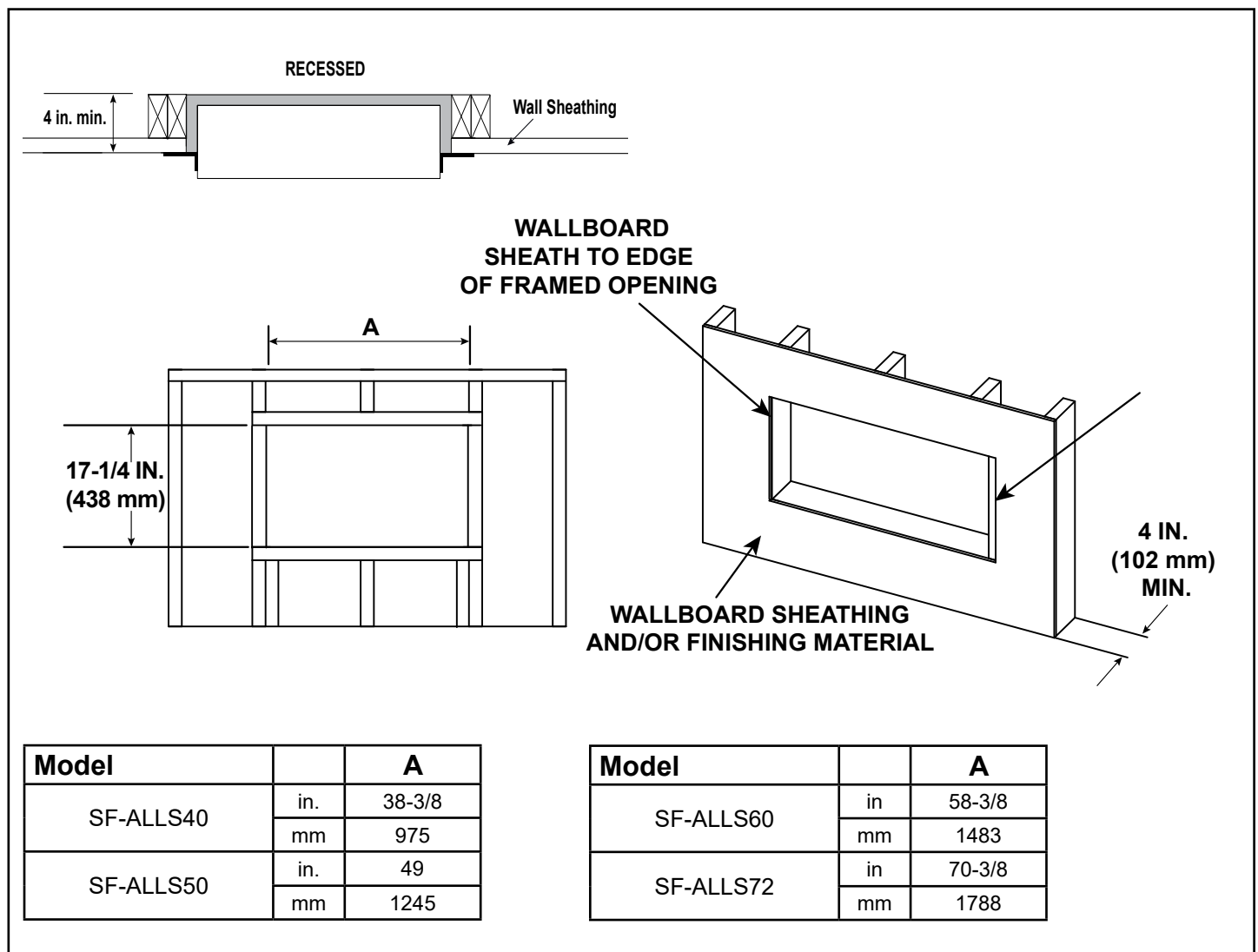


Figure 4.1 Framing Dimensions for Recessed Installations

A. Appliance Preparation

After determining the location and framing dimensions, the appliance must be prepared for installation.

The appliance is shipped with its wall mounting bracket attached. Remove the bracket by removing the two (2) M5X10 Phillips screws on the bottom of the appliance, then disengage the bracket from the appliance.

For installations into a finished wall, reference Section 4.B for installation instructions. The appliance is capable of recessing into 2x4 framing with at least 1/2 in. (12mm) wall sheathing. See Figure 4.1 for framing dimensions.

If the appliance is to be installed directly to the face of the wall, refer to Section 4.C for installation.

B. Recessed Installation into a Finished Wall

1. Fold up the hand-bend brackets on the sides and top of the appliance. See Figure 4.2.
2. Connect electrical service. Reference Section 3.F.
3. Install the appliance into the opening. Reference Figure 4.3. Ensure that the weight of the appliance is supported by the bottom framing member. Shim the bottom of the appliance as necessary to level.
4. Center the appliance left to right in the opening, then fasten it to the finished wall by securing one (1) of the six (6) provided ST4x40 screws through each hand-bend bracket to secure the appliance to a framing member. (Figure 4.3)

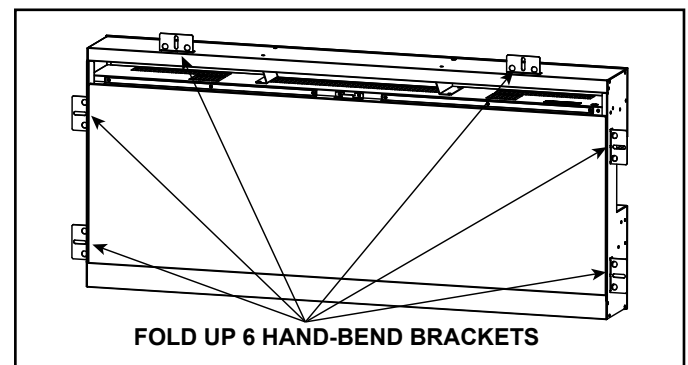


Figure 4.2 Hand-Bend Brackets for Recessed Wall Installation

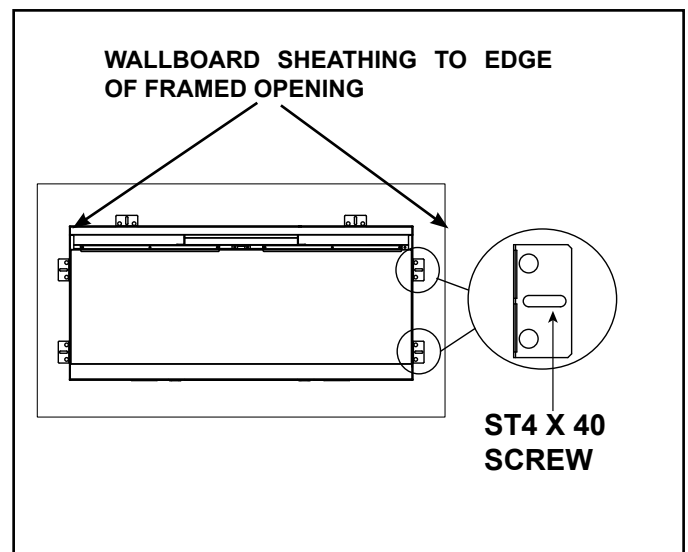


Figure 4.3 Fasten Appliance to Framing

C. Direct Wall Mounting with Wall Mounting Bracket

The Allusion Slim may be surface mounted directly to a wall using the included wall mounting bracket. The wall mounting bracket can be installed on masonry walls such as those constructed of brick or concrete, or to framed walls constructed of wood or steel framing sheathed with gypsum wallboard, drywall, wood, etc. The method used to mount the mounting bracket is different between masonry walls and framed walls. Refer to the following sections for more detail on the method applicable to this installation.

OPTIONAL ACCESSORY

For wall mounted applications there is an available wall mounted surround. Contact your Dealer for more information. Refer to the installation instructions included with the kit for detailed dimensions, locating information and installation instructions.

Wall Mount Bracket Sizes

SF-ALLS40: 23-3/4 in. x 15 in.

(604 mm x 381 mm)

SF-ALLS50 / SF-ALLS60: 34-3/8 in. x 15 in.

(871mm x 381 mm)

SF-ALLS72: 50-3/4 in. x 15 in.

(1291mm x 381mm)

Framed Wall

- Locate the mounting bracket on the wall in the desired location of the appliance. Level the bracket, then mark its location on the wall, including a marking for each of the fastener holes in the bracket.
- For each of the marked mounting point locations, determine which points align with a structural framing member.
- At the points where a wood or metal framing member exists, the ST6X50 screw can be installed directly into that structural member.
- For every mounting hole that does not align with a structural framing member, a wall board toggle-bolt anchor must be used. See Figure 4.4.

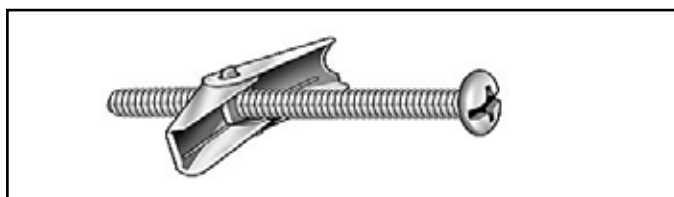


Figure 4.4 3/16 Toggle-Bolt Anchor

- The toggle-bolt anchors are provided to accommodate the required anchor points based on the appliance. Use of toggle bolt anchors requires drywall thickness of minimum 1/2 in. and drilled holes size of 1/2 in. diameter.
- Insert the bolt through the front side of the mounting bracket and thread the toggle onto it from the rear of the bracket. See Figure 4.5.
- Fold the toggle wings flush against the bolt and push them through a drilled hole until the toggle wings expand open on the other side. See Figure 4.6.
- Pull back on the bolt and tighten.
Note: This product cannot be installed on a wall sheathed with drywall less than 1/2 in. thick, unless all required anchor points in the mounting bracket align with structural framing members.

NOTICE: Minimum six screw(s) and/or toggle bolt anchors are required for wall mounting the SF-ALLS40, SF-ALLS50, and SF-ALLS60. Minimum of eight (8) screws and/or toggle bolt anchors are required for wall mounting the SF-ALLS72.



Figure 4.5 Toggle Bolt Installation through Mounting Bracket



Figure 4.6 Installing Anchors in Hollow Wall

Masonry Wall

- Locate the mounting bracket on the wall in the desired location of the appliance. Level the bracket, then mark its location on the wall, including a marking for each of the fastener holes in the bracket.

NOTICE: Minimum six (6) anchored screws are required for wall mounting the SF-ALLS40, SF-ALLS50, and SF-ALLS60. Minimum of eight (8) anchored screws are required for wall mounting the SF-ALLS72.

- In the marked locations, drill 5/16 in. diameter x 1-1/2 in. deep holes. See Figure 4.7.

NOTICE: The supplied wall anchors are designed for solid masonry wall such as brick or poured concrete. Do not use the supplied wall anchors when mounting this product to hollow concrete block walls. If mounting this product to concrete block, contact your local building supply retailer to source a fastener system that is compatible with concrete block and rated minimum 120 lbs. load capacity at each required anchor point.

- Insert the provided wall anchors into the holes.
- Gently tap the anchors with a hammer until they are flush with the wall surface.
- With mounting hooks pointed up, attach the bracket to the masonry anchors with ST6X50 screws. See Figure 4.8.

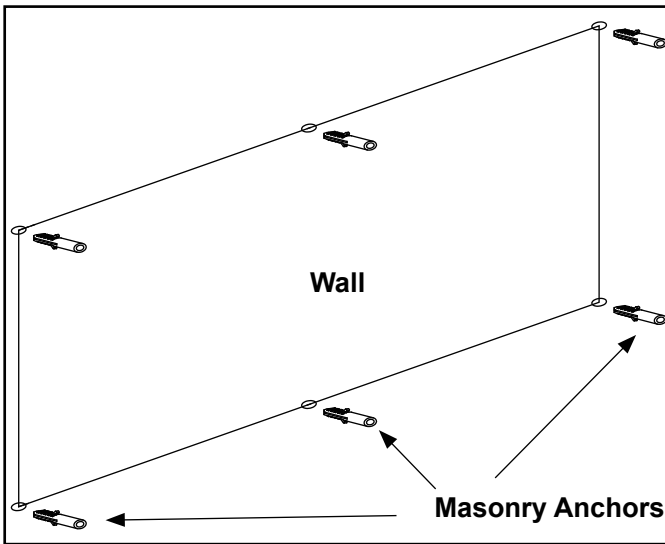


Figure 4.7 Masonry Anchor Placement

WARNING! Risk of Damage or Personal Injury! Do not use supplied masonry anchors on concrete block walls or hollow walls sheathed with wood, gypsum wall-board, drywall, or other materials.

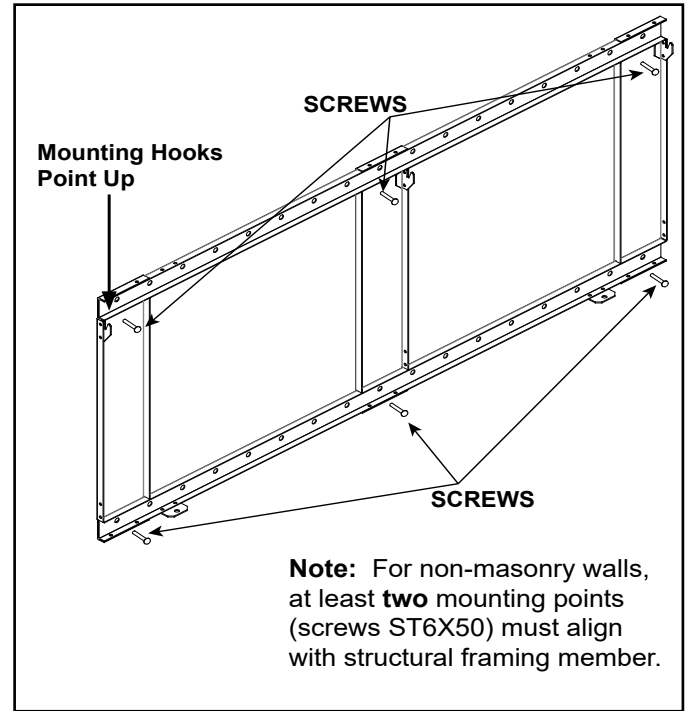


Figure 4.8 Bracket Attachment

Appliance Installation

- Align the slots on the back of the appliance with the hooks on the top two corners of the bracket.
- Hang the appliance and pull down to ensure the hooks are fully engaged. See Figure 4.9.
- Secure the appliance to the bracket with two M5X10 screws. See Figure 4.9.

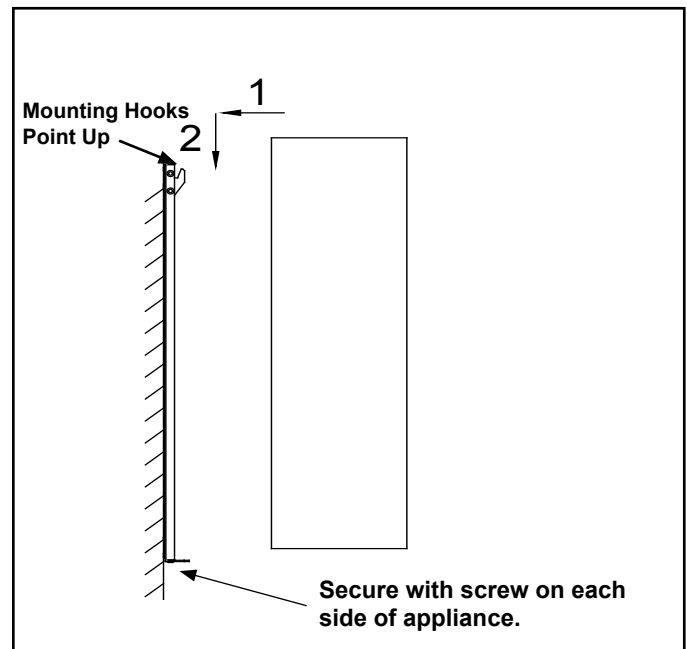


Figure 4.9 Attaching Appliance to Bracket

D. Appliance Final Setup

1. Install one panel into each side (left and right) of the appliance. Slide the bottom of the panel into place, and rotate the top up and into place. The magnet will hold the panel to the side of the appliance. See Figure 4.10.

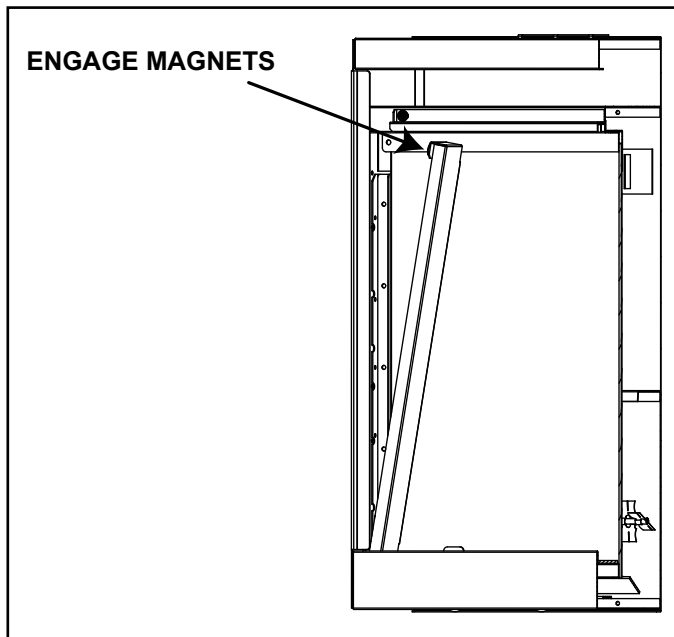


Figure 4.10 Install Side Panels

2. Spread the small clear or black crystal media across the ember bed. Ensure the channel for the glass remains clear.
3. If optional logs are to be installed, arrange the logs on top of the crystal media as desired. See Figure 4.11.

Note: Logs can be adjusted per owner preference. Log placement images are provided as a guide.

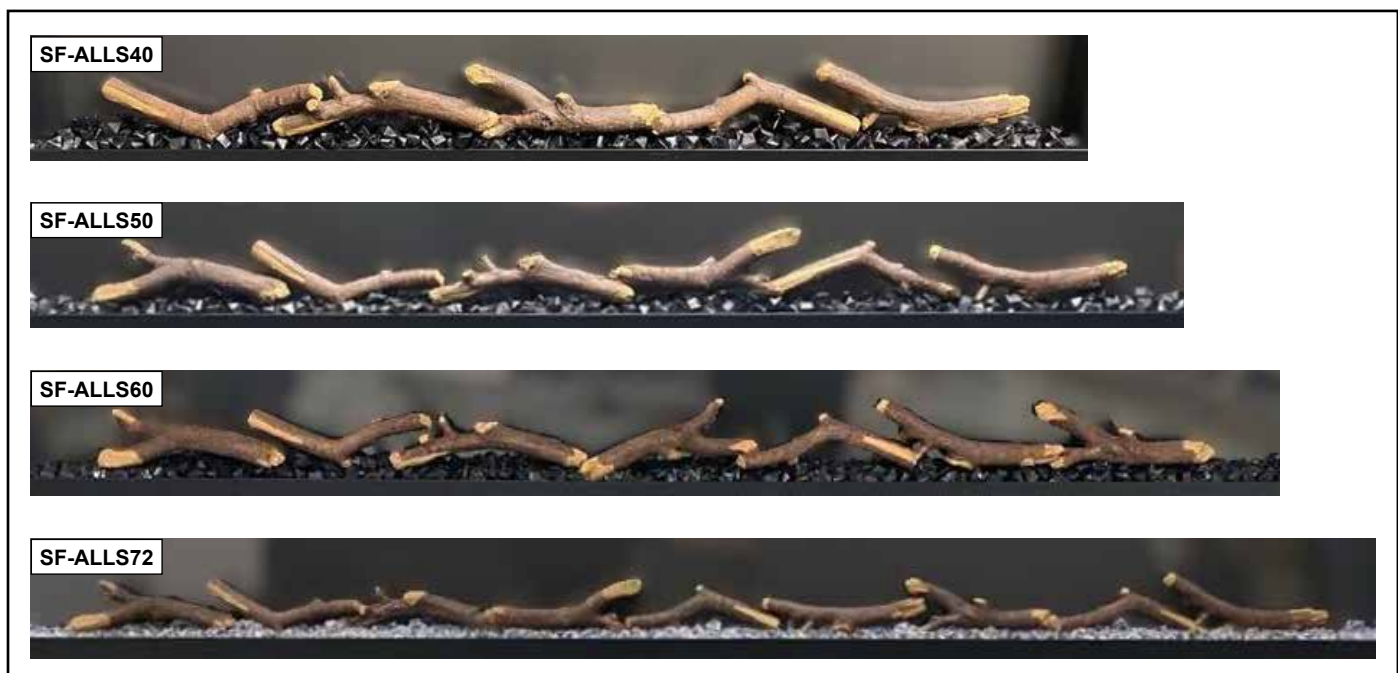


Figure 4.11 Crystal and Logs Installed

CAUTION! *Two adults are recommended for the installation of glass front. Use caution when handling glass. Failure to do so could result in personal injury or property damage.*

4. Install the glass by placing the bottom edge into the channel on the appliance. Tilt the top of the glass back until it contacts the appliance. Secure the top edge of the glass using the glass attachment brackets with three (3) ST4x8 screws per bracket. The number of attachment brackets varies by appliance size.
5. With the glass installed on the appliance, the front trim may be installed. Line up the front trim with the tabs on the appliance. Engage the front trim with the tabs. See Figure 4.12 and Figure 4.13.
Guide the bottom edge of the front trim toward the appliance, verifying the sides are centered left to right. The magnets on the front trim will contact the appliance for a secure fit.
6. Secure the bottom edge of the front trim to the appliance using the two provided ST4x8 screws.

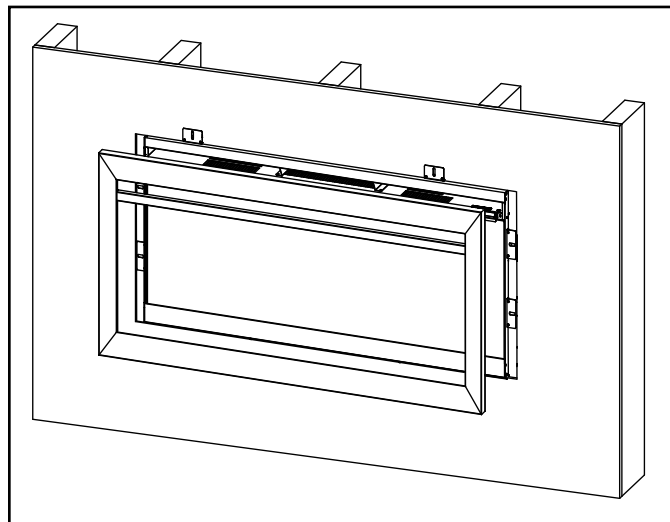


Figure 4.12 Align the Front Trim with the Appliance

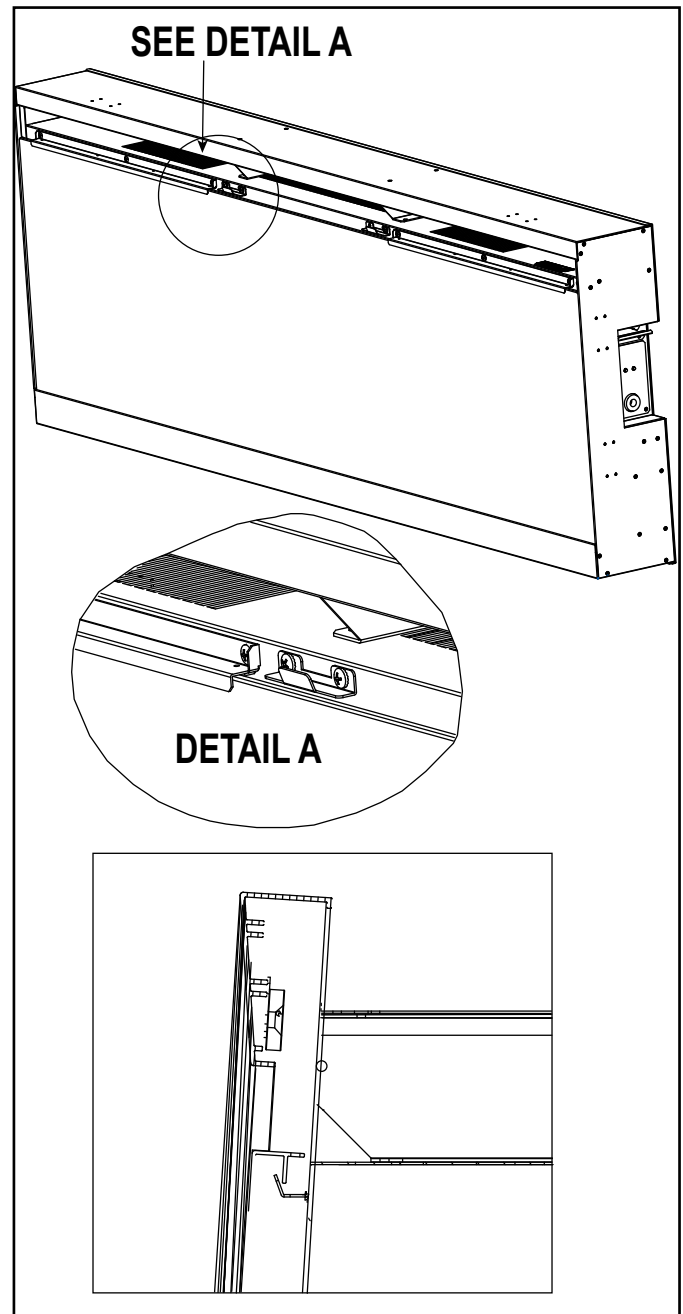


Figure 4.13 Install Front Trim

5 Operating Instructions

WARNING! Risk of Fire, Electrical Shock, and Injury!
Do not operate the appliance if it is damaged or has malfunctioned. If you suspect the appliance is damaged, call a qualified service technician to inspect and replace any part of the electrical system if necessary.

CAUTION! Risk of Shock! The appliance power cord must be connected to a properly grounded and protected 120V outlet. Always use ground fault protection where required by the electrical code.

A. Manual Switch Function

The appliance can be operated by both remote control and manual buttons. Once the appliance has been properly connected to a grounded electrical outlet, turn on the main power switch located above the electrical outlet on the right side of the appliance. A beep should be heard when the power is first applied. See Figure 5.1.

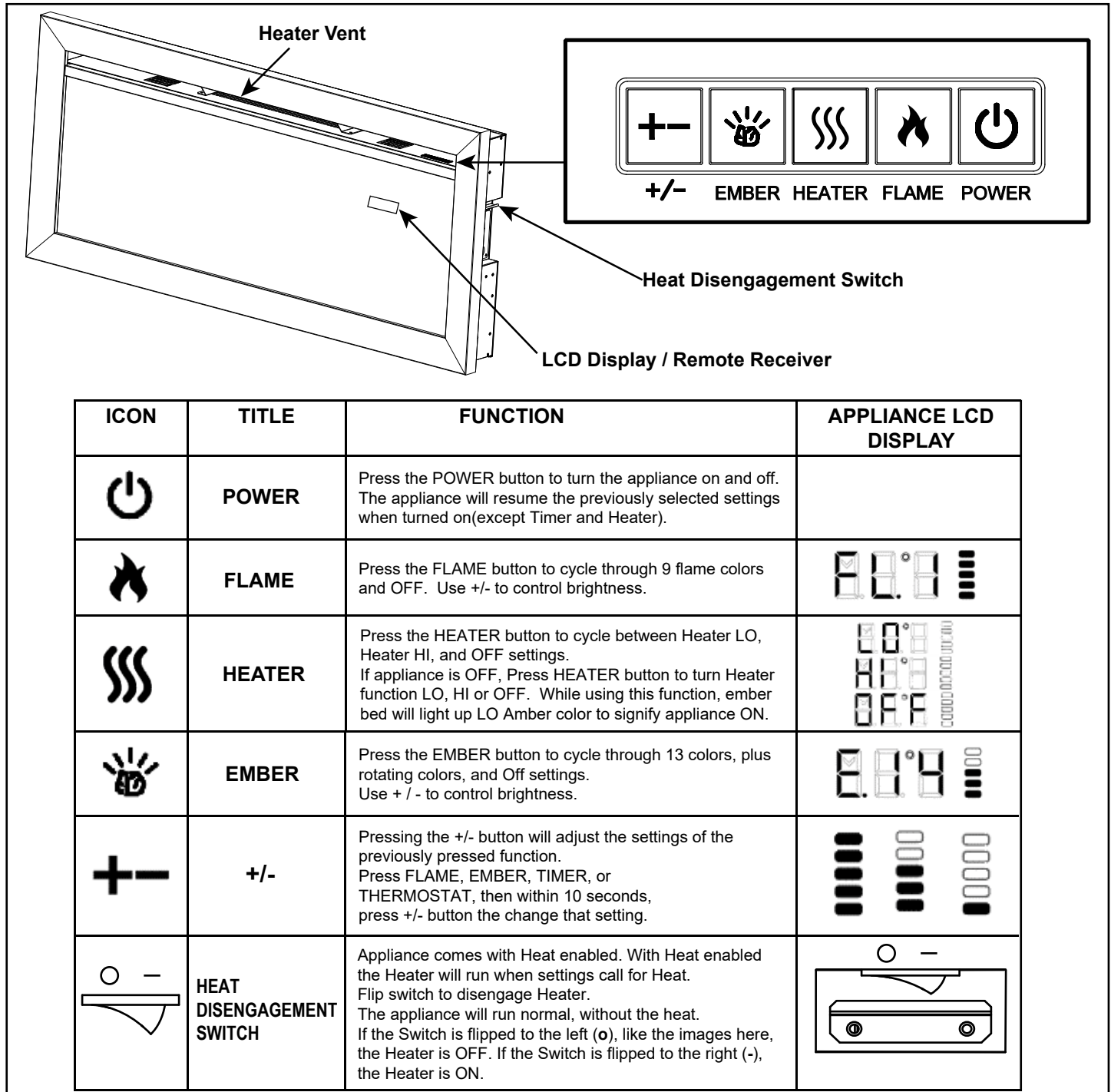
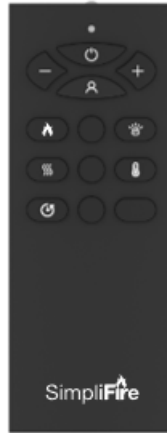


Figure 5.1 Manual Operating Switches

B. Operating by Remote Control

- The appliance must be plugged in for the remote control to function.
- Make sure batteries are properly installed in Remote Control.
 - Battery requirements 2 x AAA batteries (included).
- The remote control must be within the 16 ft. range and also be pointed directly at the face of the appliance. For best results, position the remote control within 45 degrees of the face of the appliance.



ICON	TITLE	FUNCTION	APPLIANCE LCD DISPLAY
	POWER	Press the POWER button to turn the appliance on and off. The appliance will resume the previously selected settings when turned on (except Heater and Timer).	
	PRESET	Press the PRESET button to turn on/off the preset function. To save your favorite lighting effect as the preset, press and hold the PRESET button for 3 seconds.	
	+/-	Press + or - to adjust the settings of each of the separate functions. After pressing FLAME, EMBERS, TIMER, OR THERMOSTAT buttons (within 10 seconds) use +/- to change the settings to your personal preference.	
	HEATER	Press the HEATER button to cycle between Heater LO, Heater HI, and OFF settings. If appliance is OFF, press HEATER button to turn Heater function LO, HI, or OFF. While using this function, ember bed will light up LO amber color to signify appliance is ON.	
	FLAME	Press the FLAME button to cycle through 9 flame colors and OFF. Use +/- to control brightness.	
	EMBER	Press EMBER button to cycle through 13 colors, plus rotating colors, and off setting. Use +/- to control brightness.	
	TIMER	Press the TIMER button to turn timer ON and OFF. Initial setting when turned on is 0.5H. Use +/- to control timer setting up and down.	
	THERMOSTAT	Press the THERMOSTAT button to toggle between ON and OFF options. Use +/- to increase or decrease the temperature set point. Press and hold the THERMOSTAT button for 2-3 seconds to switch between Celsius and Fahrenheit	

C. Room Temperature and Thermostat Function

The selected temperature set point is the temperature number selected by the user with the THERMOSTAT button on the remote. The set point is the desired temperature of the room in which the appliance is located.

- The heater will turn ON if the set point is greater than the actual room temperature.
- The heater will not operate or will turn OFF automatically if the actual temperature is equal to or greater than the set point.

Note: The actual room temperature is measured by a hidden sensor located next to the appliance control buttons. The sensor may observe a slightly different temperature than the overall space being heated. For this reason, the set point may need to be set slightly higher or lower than the expected room temperature for the thermostat function to work as desired.

Notice: Thermostat readings may be affected when surround is installed.

D. Resetting Temperature Cutoff Switch

The heater is protected with a safety device to prevent overheating. Should the heater overheat, an automatic shutoff will turn the heater OFF. It will not turn ON automatically without being reset. If it overheats for any reason, it can be reset by:

1. Turn appliance to OFF.
2. Shut-off power at the circuit breaker.
3. Let appliance cool for 15 minutes.
4. Turn on power at the circuit breaker.
5. Turn on appliance with manual switch or remote control.

CAUTION: *If you need to continuously reset the heater, contact your dealer for service.*

E. Setting Retention

The controls for this appliance are designed to retain the appliance settings in the event of any power disruption. If power is removed while the appliance is operating, the appliance will return to the same setting/operating modes once power is restored to the appliance.

6 Maintenance

A. Maintenance

WARNING! Risk of Shock! Always remove power before moving or servicing. Do not immerse appliance in water.

- Before cleaning or servicing, always turn off appliance and disconnect power, by either unplugging from the wall outlet or shutting off circuit breaker.
- Light accumulated dust may be removed from the appliance exterior with a soft cloth or vacuum cleaner.
- Wipe the exterior surfaces of the appliance occasionally with a slightly damp microfiber cloth using a solution of mild detergent and water. Dry thoroughly before operating the appliance.

CAUTION! Do not allow water to run into the interior of the appliance as this could create a fire or electric shock. Always remove power before moving or servicing.

- The fan motor is factory lubricated for life and will not require further lubrication.
- Store appliance in a clean dry place when not in use.

WARNING! Risk of Fire! To reduce risk of fire, do not store or use gasoline or any other flammable vapors or liquids in the vicinity of the appliance.

WARNING! Risk of Electrical Shock! Any other servicing needed must be performed by an authorized service representative. Do not attempt to service the appliance yourself.

B. Cleaning

Cleaning Glass

Dust particles can be removed by buffing lightly with a clean dry cloth. Fingerprints and other marks can be cleaned with a cloth dampened with a quality household glass cleaner. The glass should be completely dried with a lint free cloth or paper towel. Do not use abrasive cleaners on glass surface. Do not spray liquids directly onto any surface.

Metal Surface

Dust particles can be removed by buffing lightly with a clean dry cloth. A damp cloth can be used to clean painted surfaces. Do not use abrasive cleaners. Do not spray liquids directly on to any surface.

C. Servicing

Except for cleaning, an authorized service representative should perform any other service.

D. SimpliFire Troubleshooting Guide

Symptom	Possible Cause	Corrective Action
Circuit breaker trips or fuse blows when appliance is turned on	Exceeding current rating of the circuit breaker or fuse, perhaps from operating other appliances on the same circuit as the appliance	Install appliance onto a dedicated 15 amp circuit.
Lights in room dim while the appliance is on	Appliance is drawing close to circuit current rating	Install appliance onto a dedicated 15 amp circuit.
Appliance will not come on when using the manual controls on the appliance	Appliance is not plugged into an electrical outlet	Ensure plug is connected to a working outlet.
	Hard-wire connections not correct (if applicable)	Review wiring instructions to ensure correct connection.
	No incoming power from the electrical outlet or electrical box	Check fuse/breaker panel.
	Defect in control board (PCB)	Replace the control board (PCB).
Remote control does not work	Low/dead batteries	Replace batteries in the remote.
	Remote receiver is blocked, or remote is not pointed directly at the receiver.	Ensure receiver is not blocked. Move closer to the appliance.
	Control board (PCB) malfunction	Replace control board (PCB).
Heater will not turn on, but flame is functioning	Remote is in thermostat mode and room temperature (temperature at appliance thermistor) is higher than the set point on the remote	Increase thermostat set point on the remote, or exit thermostat mode (press the thermostat button until no temperature set point is displayed on the remote). See "Room Temperature and Thermostat Function" section of the manual.
	Appliance has overheated and safety thermal switch has tripped	Unplug or turn off power at circuit breaker and allow it to cool for 15 minutes. Then plug in the appliance or turn power back on at circuit breaker and turn appliance back on.
	Defective main control board	Replace control board (PCB).
	Defective heater assembly	Replace heater assembly.
	Heater disengagement switch is set to "OFF" position.	Toggle the heater disengagement switch, located on the side of appliance above the plug-in cord, to the "ON" position.
Heater shuts off automatically or won't stay on	Room temperature (temperature at the appliance thermistor) is higher than the set point on the remote	Increase thermostat set point on the remote, or exit thermostat mode (toggle the thermostat button until no temperature set point is displayed on the remote). See "Room Temperature and Thermostat Function" section of the manual.
	Appliance has overheated and safety thermal switch has tripped	Unplug or turn off power at circuit breaker and allow it to cool for 15 minutes. Then plug in the appliance or turn power back on at circuit breaker and turn appliance back on.
Heater emits an odor	Normal operation	It is normal for the heater to emit an odor for a brief amount of time after turning on. It is burning off dust that has accumulated on the heater.
Flame does not move at all	Flame rotisserie motor is stalled or malfunctioning	Cycle appliance on or off. If problem persists inspect rotisserie and motor for blockage or interference. If no interference, replace the control board (PCB) and rotisserie motor.
Flame shudder	Flame rotisserie contacting other internal components when spinning	Ensure rod is straight and mounted properly and is spinning freely without spindles hitting other components.
	Defective flame rotisserie motor	Replace rotisserie motor.
Ember bed does not light up	Ember bed is turned off	Refer to operation section of the user manual.
	Loose wiring	Check wiring to ember bed LEDs.
	Defective control board (PCB)	Replace control board (PCB).
	Defective LED lights	Replace ember bed LED lights.

SimpliFire Troubleshooting Guide (continued)

Symptom	Possible Cause	Corrective Action
Fireplace turns on by itself	Defective control board (PCB)	Replace control board (PCB).
Excessive noise with heater on	Interference with fan blade	Inspect heater assembly and fan for obstructions or interference.
	Defective blower motor	Replace heater assembly.
Grinding or rubbing noise (when heater is off)	Rotisserie hitting or rubbing against internal components	Ensure rotisserie rod is straight and mounted properly and is spinning freely without spindles hitting other components. If sound is coming from friction with the rotisserie bracket, apply grease to contact point.

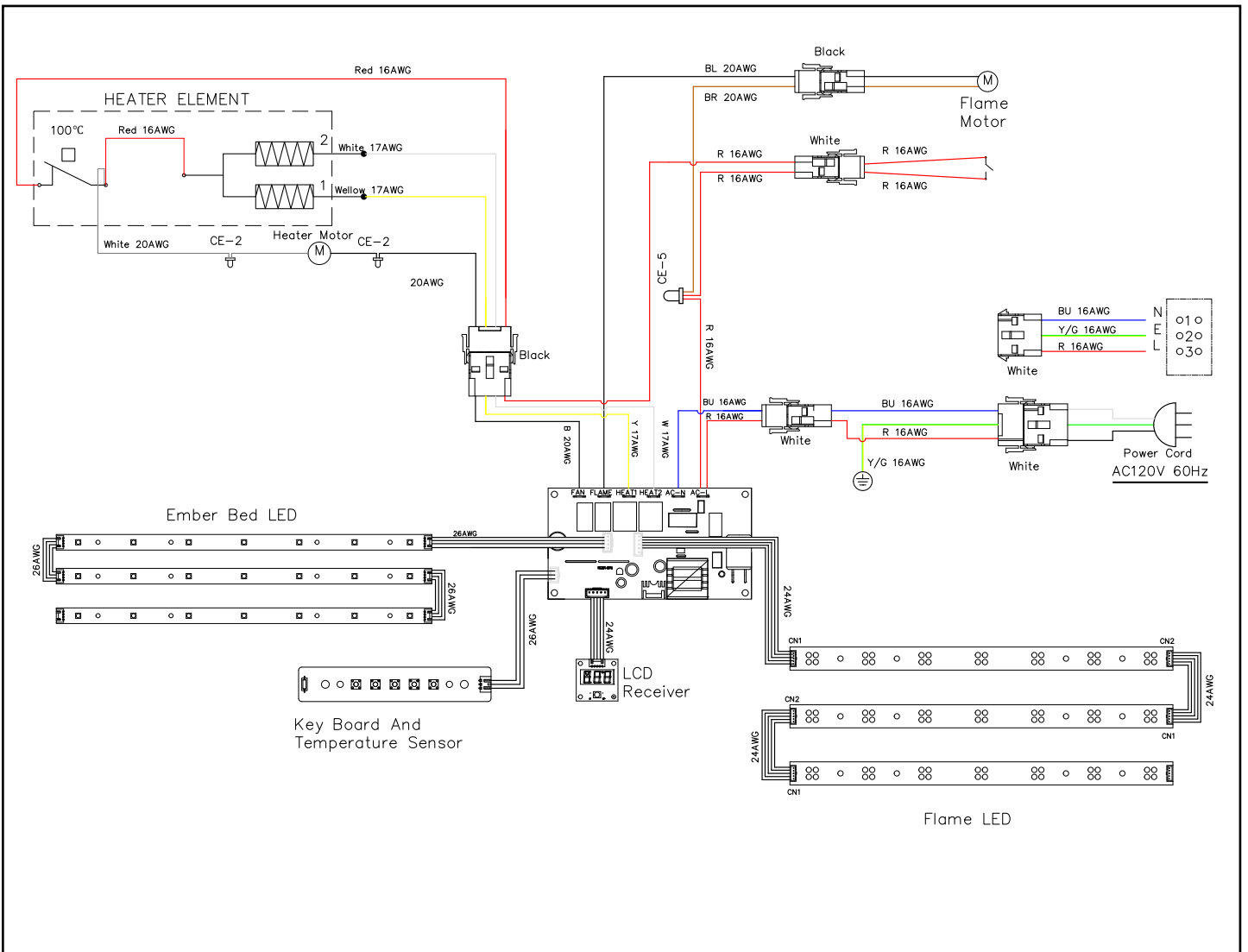
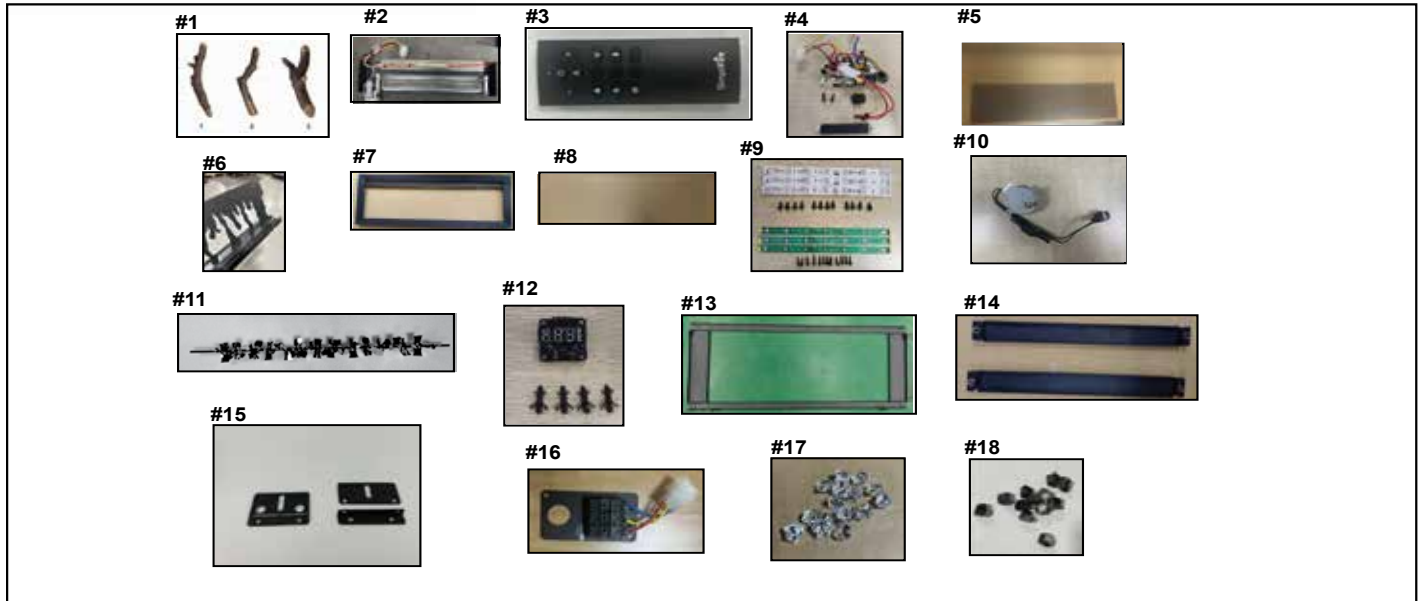


Figure 6.1 Wiring Diagram



IMPORTANT: THIS IS DATED INFORMATION. Parts must be ordered from a dealer or distributor. **Hearth and Home Technologies does not sell directly to consumers.** Provide model number and serial number when requesting service parts from your dealer or distributor.



Stocked at Depot

ITEM	DESCRIPTION	COMMENTS	PART NUMBER	Stocked at Depot
1	Log Set		LOGS-ALLS	Y
2	Heater Assembly		HEATER-ALLS	Y
3	Remote Control		RC-SFIR9	Y
4	Control Box (Includes Control Board, Button Board and Heat Disengagement Button include barbed pins)		PCB-ALLS	Y
5	Flame Screen (Includes Glass and PP Board)		FLAME-ALLS40	Y
6	Flame Silhouette (Includes Flame LED Bracket and Ember Bed Bracket)		SILHO-ALLS40	Y
7	Front Trim		FRONT-ALLS40	Y
8	Glass		GLASS-ALLS40	Y
9	Flame & Ember LEDs		LEDS-ALLS40	Y
10	Rotisserie Motor (Includes screws)		MOTOR-ALLS	Y
11	Rotisserie		ROTISS-ALLS40	Y
12	Remote Receiver (Includes LCD Display and barbed pins)		SF-LCDRECEIV	Y
13	Wall-Mount Bracket		WM-BRKT-SM	Y
14	Side Panels		PANELS-ALLS	Y
15	Framing Attachment Bracket	6 flat and 2 piece brackets	LINEAR-BRKT	Y
16	Terminal Block		SF-JBLOCK	Y
17	Crystal Media (Clear Small)		CRYSTALS-CL	Y
18	Black Crystals		CRYSTALS-BK	Y
	Hardware (Includes: Front Trim Magnets x9, ST4x8 Screws x12, 4x8 Counter Sunk screws x9, ST4x40 Screws x6)		HDWR-ALLS	Y
	WMK Hardware (Includes: Masonry Anchors x8, Toggle Bolt Anchors x8, ST6x50 Screws x8, M5x10 Screws x2)		HDWR-WMK	Y

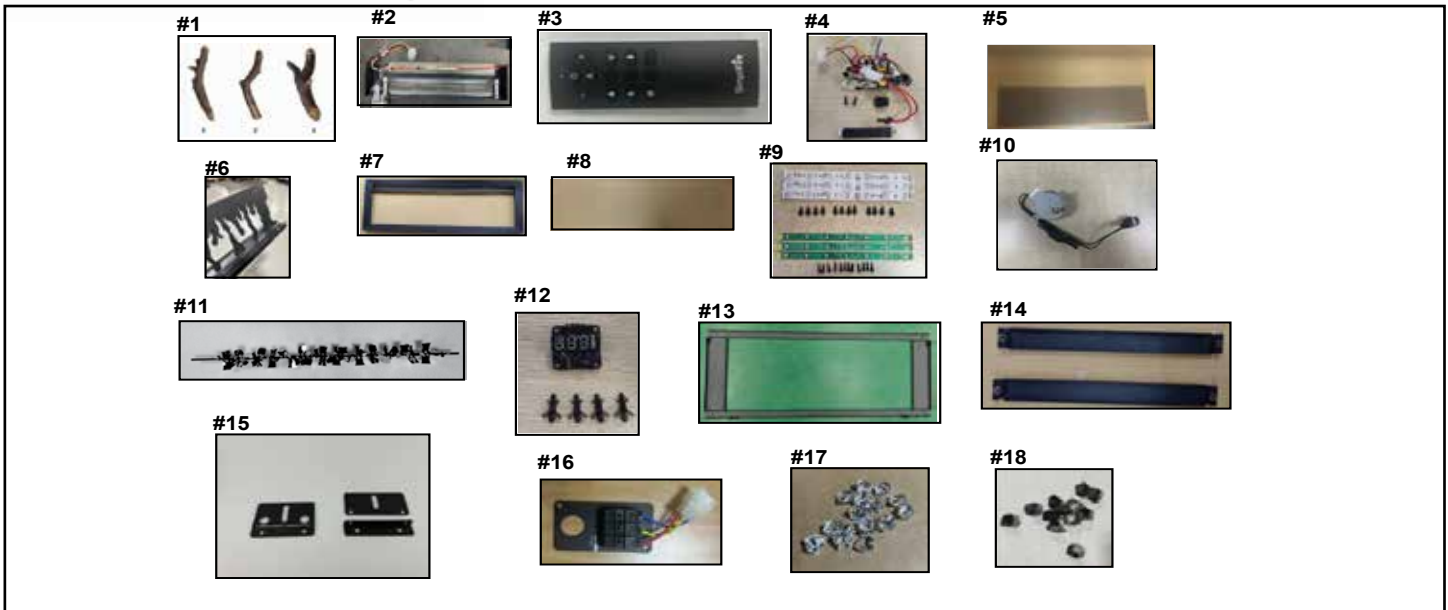


IMPORTANT: THIS IS DATED INFORMATION. Parts must be ordered from a dealer or distributor. **Hearth and Home Technologies does not sell directly to consumers.** Provide model number and serial number when requesting service parts from your dealer or distributor.



Stocked at Depot

ITEM	DESCRIPTION	COMMENTS	PART NUMBER	Stocked at Depot
1	Log Set		LOGS-ALLS	Y
2	Heater Assembly		HEATER-ALLS	Y
3	Remote Control		RC-SFIR9	Y
4	Control Box (Includes Control Board, Button Board and Heat Disengagement Button include barbed pins)		PCB-ALLS	Y
5	Flame Screen (Includes Glass and PP Board)		FLAME-ALLS50	Y
6	Flame Silhouette (Includes Flame LED Bracket and Ember Bed Bracket)		SILHO-ALLS50	Y
7	Front Trim		FRONT-ALLS50	Y
8	Glass		GLASS-ALLS50	Y
9	Flame & Ember LEDs		LEDS-ALLS50	Y
10	Rotisserie Motor (Includes screws)		MOTOR-ALLS	Y
11	Rotisserie		ROTISS-ALLS50	Y
12	Remote Receiver (Includes LCD Display and barbed pins)		SF-LCDRECEIV	Y
13	Wall-Mount Bracket		WM-BRKT-MD	Y
14	Side Panels		PANELS-ALLS	Y
15	Framing Attachment Bracket	6 flat and 2 piece brackets	LINEAR-BRKT	Y
16	Terminal Block		SF-JBLOCK	Y
17	Crystal Media (Clear Small)		CRYSTALS-CL	Y
18	Black Crystals		CRYSTALS-BK	Y
	Hardware (Includes: Front Trim Magnets x9, ST4x8 Screws x12, 4x8 Counter Sunk screws x9, ST4x40 Screws x6)		HDWR-ALLS	Y
	WMK Hardware (Includes: Masonry Anchors x8, Toggle Bolt Anchors x8, ST6x50 Screws x8, M5x10 Screws x2)		HDWR-WMK	Y

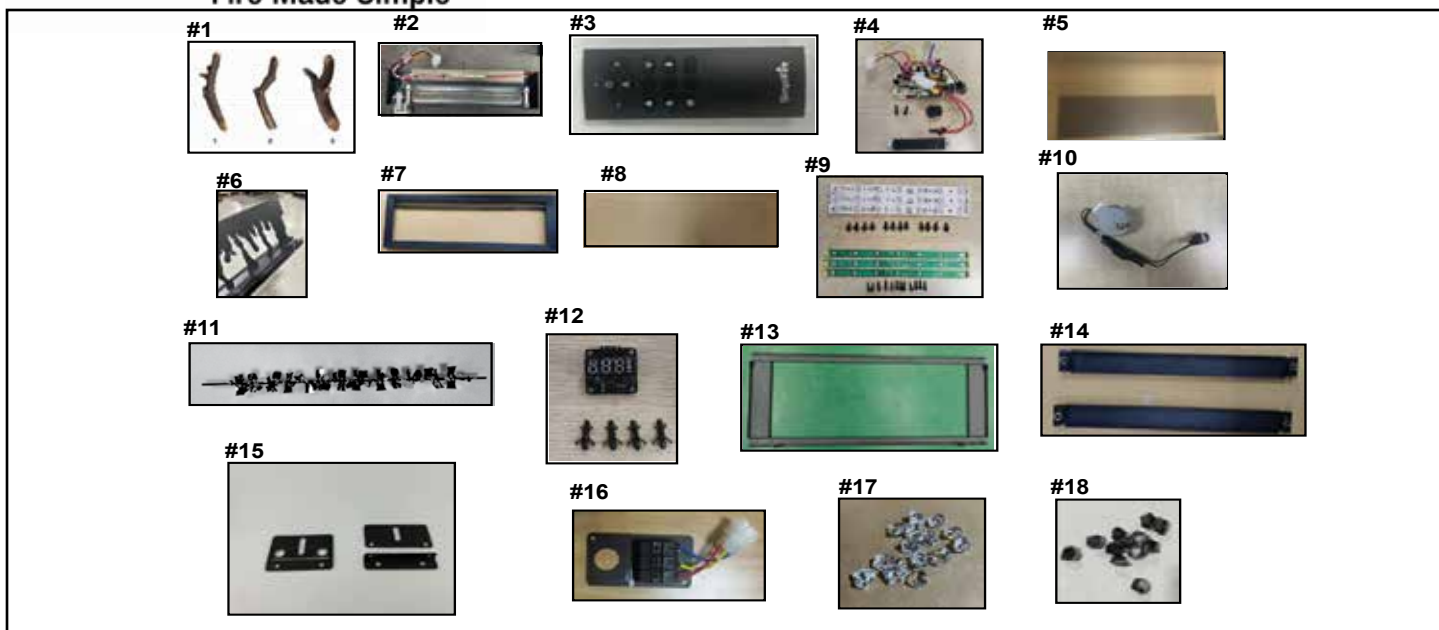


IMPORTANT: THIS IS DATED INFORMATION. Parts must be ordered from a dealer or distributor. **Hearth and Home Technologies does not sell directly to consumers.** Provide model number and serial number when requesting service parts from your dealer or distributor.



**Stocked
at Depot**

ITEM	DESCRIPTION	COMMENTS	PART NUMBER	Stocked at Depot
1	Log Set		LOGS-ALLS	Y
2	Heater Assembly		HEATER-ALLS	Y
3	Remote Control		RC-SFIR9	Y
4	Control Box (Includes Control Board, Button Board and Heat Disengagement Button include barbed pins)		PCB-ALLS	Y
5	Flame Screen (Includes Glass and PP Board)		FLAME-ALLS60	Y
6	Flame Silhouette (Includes Flame LED Bracket and Ember Bed Bracket)		SILHO-ALLS60	Y
7	Front Trim		FRONT-ALLS60	Y
8	Glass		GLASS-ALLS60	Y
9	Flame & Ember LEDs		LEDS-ALLS60	Y
10	Rotisserie Motor (Includes screws)		MOTOR-ALLS	Y
11	Rotisserie		ROTISS-ALLS60	Y
12	Remote Receiver (Includes LCD Display and barbed pins)		SF-LCDRECEIV	Y
13	Wall-Mount Bracket		WM-BRKT-MD	Y
14	Side Panels		PANELS-ALLS	Y
15	Framing Attachment Bracket	6 flat and 2 piece brackets	LINEAR-BRKT	Y
16	Terminal Block		SF-JBLOCK	Y
17	Crystal Media (Clear Small)		CRYSTALS-CL	Y
18	Black Crystals		CRYSTALS-BK	Y
	Hardware (Includes: Front Trim Magnets x9, ST4x8 Screws x12, 4x8 Counter Sunk screws x9, ST4x40 Screws x6)		HDWR-ALLS	Y
	WMK Hardware (Includes: Masonry Anchors x8, Toggle Bolt Anchors x8, ST6x50 Screws x8, M5x10 Screws x2)		HDWR-WMK	Y



IMPORTANT: THIS IS DATED INFORMATION. Parts must be ordered from a dealer or distributor. **Hearth and Home Technologies does not sell directly to consumers.** Provide model number and serial number when requesting service parts from your dealer or distributor.



Stocked at Depot

ITEM	DESCRIPTION	COMMENTS	PART NUMBER	Stocked at Depot
1	Log Set		LOGS-ALLS	Y
2	Heater Assembly		HEATER-ALLS	Y
3	Remote Control		RC-SFIR9	Y
4	Control Box (Includes Control Board, Button Board and Heat Disengagement Button include barbed pins)		PCB-ALLS	Y
5	Flame Screen (Includes Glass and PP Board)		FLAME-ALLS72	Y
6	Flame Silhouette (Includes Flame LED Bracket and Ember Bed Bracket)		SILHO-ALLS72	Y
7	Front Trim		FRONT-ALLS72	Y
8	Glass		GLASS-ALLS72	Y
9	Flame & Ember LEDs		LEDS-ALLS72	Y
10	Rotisserie Motor (Includes screws)		MOTOR-ALLS	Y
11	Rotisserie		ROTISS-ALLS72	Y
12	Remote Receiver (Includes LCD Display and barbed pins)		SF-LCDRECEIV	Y
13	Wall-Mount Bracket		WM-BRKT-LG	Y
14	Side Panels		PANELS-ALLS	Y
15	Framing Attachment Bracket	6 flat and 2 piece brackets	LINEAR-BRKT	Y
16	Terminal Block		SF-JBLOCK	Y
17	Crystal Media (Clear Small)		CRYSTALS-CL	Y
18	Black Crystals		CRYSTALS-BK	Y
	Hardware (Includes: Front Trim Magnets x9, ST4x8 Screws x12, 4x8 Counter Sunk screws x9, ST4x40 Screws x6)		HDWR-ALLS	Y
	WMK Hardware (Includes: Masonry Anchors x8, Toggle Bolt Anchors x8, ST6x50 Screws x8, M5x10 Screws x2)		HDWR-WMK	Y

