

**Teba**<sup>®</sup>  
*therm*

HEATING  
SYSTEMS

*Always  
Heats*









**Teba**<sup>®</sup>  
*therm*

# Always Heats

CENTRAL HEATING STOVES ARE SUITABLE FOR INTEGRATION TO  
YOUR EXISTING CLOSED/OPEN LOOP HOT WATER HEATING SYSTEM AT HOME

We are one of the leading companies in Turkey since 1997.

We are manufacturing Central Heating Stoves such as Pellet Stoves with/without Hot Water Storage tank, Solid Fuel Stoves with/without Hot Water Storage tank.

#### **Product Categories**

- Aluminium Panel Radiator
- Central Heating System
- Pellet Stove
- Solid Fuel Stove



## For All Pellet Stoves

- ONLY 6 MM NATURAL PELLET FUEL CONFORMING TO DIN PLUS MUST BE USED
- 8 OR 10 MM PELLET FUEL, CHERRY SEEDS, OLIVE SEEDS, NUTSHELL..ETC. SHOULD NOT BE USED
- FIREPOT MUST BE CLEANED EVERYDAY
- IN EVERY 3-4 DAYS THE SLIDING CLEANER MUST BE MOVED TO CLEAN THE HEAT EXCHANGERS
- AT THE END OF EACH WINTER, GENERAL MAINTENANCE (FIREPOT-HEAT EXCHANGER TUBES-INNER SURFACES AND THE AREAS MENTIONED ON THE USER MANUAL) SHOULD BE DONE AND HOPPER MUST BE EMPTIED
- DAMAGES CAUSED BY USE OF NON-CONFORMING PELLET AND NON-REGULAR MAINTENANCE ARE NOT COVERED BY THE WARRANTY



Radiator Connection



Self Cleaning Glasses



Wood Burning



Automatic Air Control



Coal Burning



Eco-Friendly



Cooking Possibility



CE Certificated



Bakery



BimSchV 1-2 Approved



Sanitary Hot Water



WIFI

# TP-06

PELLET STOVE

A+

**NEW DESIGN**  
**DOUBLE GLASS**



- Fuel type: Eco-friendly pellet
- Low carbon monoxide levels (less than 200ppm)
- Electronic control system
- Automatic ignition
- Five-level adjustable combustion speed
- Remote control system
- Room thermostat control(if desired, can be connected by user)
- Internet connection possibility (if desired, can be connected by manufacturer during production)
- Easy-to-use features

Please use "External Power Supply" against Power Cuts.

TP-06	DEPTH (MM)	WIDTH (MM)	HEIGHT (MM)
	462	495	875

Fuel Type	Pellet
Heat Power (KW)	8 KW
Flue pipe diameter	80 mm
Power	230 V - 50 Hz
Total Weight	73 kg
Heat Efficiency	92%
Fuel Loading Capacity	15 kg



# TP-08

PELLET STOVE

A++

NEW DESIGN



- Fuel type: Eco-friendly pellet
- Low carbon monoxide levels (less than 200ppm)
- Electronic control system
- Automatic ignition
- Five-level adjustable combustion speed
- Room thermostat control(if desired, can be connected by user)
- Easy-to-use features
- Internet connection possibility (if desired, can be connected by manufacturer during production)

Please use "External Power Supply" against Power Cuts.



2ways2 radiocontroller



TP-08	DEPTH (MM)	WIDTH (MM)	HEIGHT (MM)
	560	560	1120

Fuel Type	Pellet
Heat Power (KW)	10 KW
Flue pipe diameter	80 mm
Power	230 V - 50 Hz
Total Weight	128 kg
Heat Efficiency	92%
Fuel Loading Capacity	15 kg





# TP-09

## SLIM PELLETT STOVE

A++



- Fuel type: Eco-friendly pellet
  - Low carbon monoxide levels (less than 200ppm)
  - Electronic control system
  - Automatic ignition
  - Five-level adjustable combustion speed
  - Room thermostat control(if desired, can be connected by user)
  - Easy-to-use features
- Internet connection possibility (if desired, can be connected by manufacturer during production)

Please use "External Power Supply" against Power Cuts.

### DUCT FUCTION

TP-09	DEPTH (MM)	WIDTH (MM)	HEIGHT (MM)
	276	1016	956

Fuel Type	Pellet
Heat Power (KW)	10 KW
Flue pipe diameter	80 mm
Power	230 V - 50 Hz
Total Weight	101 kg
Heat Efficiency	90%
Fuel Loading Capacity	10 kg



# TP-10

## PELLET STOVE



- Fuel type: Eco-friendly pellet
- Low carbon monoxide levels (less than 200ppm)
- Electronic control system
- Pellet level sensor
- Automatic ignition
- Five-level adjustable combustion speed
- Remote control system
- Room thermostat control
- Easy-to-use features
- Internet connection possibility (if desired, can be connected during production process)

Please use "External Power Supply" against Power Cuts.

TP-10	DEPTH (MM)	WIDTH (MM)	HEIGHT (MM)
	590	550	1100

Fuel Type	Pellet
Heat Power (KW)	10-18 KW
Flue pipe diameter	80 mm
Power	230 V - 50 Hz
Total Weight	148 kg
Heat Efficiency	89,5%
Fuel Loading Capacity	20 kg





# TP-11

PELLET STOVE

A++

**NEW DESIGN**  
**DOUBLE GLASS**



- Fuel is eco-friendly pellet.
- Low carbon monoxide levels (less than 200ppm)
- Electronic control system
- Automatic ignition
- Remote control system
- Pellet Level Sensor
- Five-level adjustable combustion speed
- Room thermostat control(if desired, can be connected by user)
- Internet connection possibility(if desired, can be connected by manufacturer during production)
- Easy-to-use features
- Stone type marble
- **Blowing from backside (optional)**

Please use "External Power Supply" against Power Cuts



2ways2 radiocontroller

Tested according to EN 14785

	DEPTH (MM)	WIDTH (MM)	HEIGHT (MM)
TP-11	535	515	1115
	625 (WITH SCREEN)		

Fuel Type	Pellet
Heat Power (KW)	18 KW
Flue pipe diameter	80 mm
Power	230 V - 50 Hz
Total Weight	207 kg
Heat Efficiency	93%
Fuel Loading Capacity	20 kg



# TP-16

PELLET STOVE

**NEW DESIGN**



- Fuel type: eco- friendly pellet
- Low carbon monoxide levels (less than 200ppm)
- Electronic control system
- Automatic ignition
- Five-level adjustable combustion speed
- Adjustable boiler water temperature
- Radiator connection
- Room thermostat control(if desired, can be connected by user)
- Easy-to-use features
- Built-in Pump, fan, expansion tank and thermostat
- Internet connection possibility (if desired, can be connected by manufacturer during production)

Please use " External Power Supply" against Power Cuts,  
"Anti-Freeze" (1/4) against Corrosion and for better performance.

TP-16	DEPTH (MM)	WIDTH (MM)	HEIGHT (MM)
	565	485	1125

Fuel Type	Pellet
Heat Power (KW)	16 KW
Boiler input	1 - 3/4"
Operation pressure	1 - 1,5 bar
Flue-Pipe diameter	80 mm
Fuel Loading Capacity	20 kg
Heat Efficiency	94%
Power	230 V - 50 Hz
Total weight	160 kg
Boiler Water Capacity	22 lt





# TP-24

A+

## PELLET STOVE WITH CENTRAL HEATING SYSTEM



- Fuel type: eco- friendly pellet
- Low carbon monoxide levels (less than 200ppm)
- Electronic control system
- Automatic ignition
- Five-level adjustable combustion speed
- Adjustable boiler water temperature
- Radiator connection
- Room thermostat control(if desired, can be connected by user)
- Easy-to-use features
- Built-in Pump, fan, expansion tank and thermostat
- Internet connection possibility (if desired, can be connected by manufacturer during production)

Please use " External Power Supply" against Power Cuts,  
"Anti-Freeze" (1/4) against Corrosion and for better performance.



Tested according to EN 14785

TP-24	DEPTH (MM)	WIDTH (MM)	HEIGHT (MM)
	636	565	1072

Fuel Type	Pellet
Heat Power (KW)	24 KW
Boiler input	1 - 3/4"
Operation pressure	1 - 1,5 bar
Flue-Pipe diameter	80 mm
Fuel Loading Capacity	25 kg
Heat Efficiency	94%
Power	230 V - 50 Hz
Total weight	207 kg
Boiler Water Capacity	35 lt



# TP-28

NEW DESIGN

A<sup>++</sup>

PELLET STOVE WITH CENTRAL HEATING SYSTEM



- Fuel type: eco- friendly pellet
- Low carbon monoxide levels (less than 200ppm)
- Electronic control system
- Automatic ignition
- Five-level adjustable combustion speed
- Adjustable boiler water temperature
- Radiator connection
- Room thermostat control(if desired, can be connected by user)
- Easy-to-use features
- Built-in Pump, fan, expansion tank and thermostat
- Internet connection possibility (if desired, can be connected by manufacturer during production)
- Total glass

Please use " External Power Supply" against Power Cuts,  
"Anti-Freeze" (1/4) against Corrosion and for better performance.



Tested according to EN 14785

TP-28	DEPTH (MM)	WIDTH (MM)	HEIGHT (MM)
	700	590	1157

Fuel Type	Pellet
Heat Power (KW)	24+4 KW
Boiler input	1 - 3/4"
Operation pressure	1 - 1,5 bar
Flue-Pipe diameter	100 mm
Fuel Loading Capacity	25 kg
Heat Efficiency	92%
Power	230 V - 50 Hz
Total weight	245 kg
Boiler Water Capacity	35 lt



2ways2 radiocontroller





# TP-30

A++

## PELLET STOVE WITH CENTRAL HEATING SYSTEM



- Fuel type: eco-friendly pellet
- Low carbon monoxide levels (less than 200ppm)
- Electronic control system
- Automatic ignition
- Five-level adjustable combustion speed
- Adjustable boiler water temperature
- Remote control system
- Pellet level sensor
- Radiator connection
- Room thermostat control(if desired, can be connected by user)
- Internet connection possibility(if desired, can be connected by manufacturer during production)
- Easy-to-use features
- Built-in Pump, fan, expansion tank and thermostat
- Possibility to provide Sanitary Hot Water (the water temperature is at the rate of 75% comparing to the boiler temperature, the flow rate is 7lt/min)

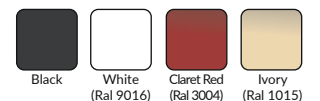
Please use "External Power Supply" against Power Cuts, "Anti-Freeze" (1/4) against Corrosion and for better performance.

TP-30	DEPTH (MM)	WIDTH (MM)	HEIGHT (MM)
	590	550	1200

Fuel Type	Pellet
Heat Power (KW)	30 KW
Boiler input	1 - 3/4"
Operation pressure	1 - 1,5 bar
Flue-Pipe diameter	80 mm
Fuel Loading Capacity	25 kg
Heat Efficiency	92%
Power	230 V - 50 Hz
Total weight	210 kg
Boiler Water Capacity	47 lt



2ways2 radiocontroller



# TPW-23

A+

WOOD & PELLETT STOVE WITH CENTRAL HEATING SYSTEM



- Fuel type: eco- friendly pellet
- Three-mode combustion options available (Pellet mode, Combi mode, wood mode)
  - Pellet mode: only pellet burns
  - Combi mode: first pellet and then wood burns automatically
  - Wood mode: only wood burns
- Low carbon monoxide levels (less than 200ppm)
- Electronic control system
- Automatic ignition (for pellet and combi mode)
- Six-level adjustable combustion speed
- Adjustable boiler water temperature
- Remote control system
- Pellet level sensor
- Radiator connection
- Room thermostat control (can be connected by user)
- Including WIFI
- Easy-to-use features
- Built-in Pump, fan, expansion tank and thermostat

Please use "External Power Supply" against Power Cuts,  
"Anti-Freeze"(1/4) against corrosion and for better performance

TPW-23	DEPTH (MM)	WIDTH (MM)	HEIGHT (MM)
	615	1330	875

Fuel Type	Pellet
Heat Power (KW)	25 KW
Boiler Input	1 - 3/4"
Operation Pressure	1 - 1,5 bar
Flue Pipe diameter	100 mm
Fuel Loading Capacity	20 kg Pellet 8 kg Wood
Heat Efficiency	94%
Power	230 V - 50 Hz
Total Weight	275 kg
Boiler Water Capacity	35 lt





# TP-25

## PELLET BOILER

**AUTOMATIC CLEANING**

**A+**

- Fuel type: eco-friendly pellet
- Low carbon monoxide levels (less than 200ppm)
- Electronic control system
- Automatic ignition
- Six-level adjustable combustion speed
- Adjustable boiler water temperature
- Radiator connection
- Room thermostat control (if desired, can be connected by user)
- Easy-to-use features
- Built-in Pump, fan, expansion tank and thermostat
- Internet connection possibility (if desired, can be connected by manufacturer during production)

Please use " External Power Supply" against Power Cuts, "Anti-Freeze" (1/4) against Corrosion and for better performance.



TP-25	DEPTH (MM)	WIDTH (MM)	HEIGHT (MM)
	640	565	1096

Fuel Type	Pellet
Heat Power (KW)	30 KW
Boiler input	1 - 3/4"
Operation pressure	1 - 1,5 bar
Flue-Pipe diameter	100 mm
Fuel Loading Capacity	25 kg
Heat Efficiency	92%
Power	230 V - 50 Hz
Total weight	195 kg
Boiler Water Capacity	35 lt



# TP-27

## DOUBLE PELLET BOILER

**NEW DESIGN**  
**AUTOMATIC CLEANING**

**A+**

- Fuel type: eco-friendly pellet
- Low carbon monoxide levels (less than 200ppm)
- Electronic control system
- Automatic ignition
- Six-level adjustable combustion speed
- Adjustable boiler water temperature
- Remote control system
- Radiator connection
- Room thermostat control (if desired, can be connected by user)
- Easy-to-use features
- Built-in Pump, fan, expansion tank and thermostat
- Internet connection possibility (if desired, can be connected by manufacturer during production)

Please use " External Power Supply" against Power Cuts,  
"Anti-Freeze" (1/4) against Corrosion and for better performance.



TP-27	DEPTH (MM)	WIDTH (MM)	HEIGHT (MM)
	792	582	1412

Fuel Type	Pellet
Heat Power (KW)	30 KW
Boiler input	1 - 3/4"
Operation pressure	1 - 1,5 bar
Flue-Pipe diameter	100 mm
Fuel Loading Capacity	100 kg
Heat Efficiency	92%
Power	230 V - 50 Hz
Total weight	235 kg
Boiler Water Capacity	35 lt

DEPTH (MM)	WIDTH (MM)	HEIGHT (MM)
744	582	1410

**Optional**  
**pellet storage**  
**210 kg**





# TP-35

## PELLET BOILER

A+

- Fuel type: eco-friendly pellet
- Low carbon monoxide levels (less than 200ppm)
- Electronic control system
- Automatic ignition
- Six-level adjustable combustion speed
- Adjustable boiler water temperature
- Remote control system
- Radiator connection
- Room thermostat control (if desired, can be connected by user)
- Easy-to-use features
- Built-in Pump, fan, expansion tank and thermostat
- Internet connection possibility (if desired, can be connected by manufacturer during production)

Please use " External Power Supply" against Power Cuts,  
"Anti-Freeze" (1/4) against Corrosion and for better performance.



TP-35	DEPTH (MM)	WIDTH (MM)	HEIGHT (MM)
	620	565	1407

Fuel Type	Pellet
Heat Power (KW)	28 KW
Boiler input	1 - 3/4"
Operation pressure	1 - 1,5 bar
Flue-Pipe diameter	100 mm
Fuel Loading Capacity	60 kg
Heat Efficiency	92%
Power	230 V - 50 Hz
Total weight	223 kg
Boiler Water Capacity	21 lt



# TP-60

## PELLET BOILER

**NEW DESIGN**  
**AUTOMATIC CLEANING**

A+

- Fuel type: eco-friendly pellet
- Low carbon monoxide levels (less than 200ppm)
- Electronic control system
- Automatic ignition
- Six-level adjustable combustion speed
- Adjustable boiler water temperature
- Remote control system
- Radiator connection
- Room thermostat control (if desired, can be connected by user)
- Easy-to-use features
- Built-in Pump, fan, expansion tank and thermostat
- Internet connection possibility (if desired, can be connected by manufacturer during production)

Please use " External Power Supply" against Power Cuts,  
"Anti-Freeze" (1/4) against Corrosion and for better performance.



TP-60	DEPTH (MM)	WIDTH (MM)	HEIGHT (MM)
	931	660	1368

Fuel Type	Pellet
Heat Power (KW)	60 KW
Boiler input	1"- ¾"
Operation pressure	1 – 1,5 BAR
Flue-Pipe diameter	100 mm
Fuel Loading Capacity	100 kg + 300 kg
Heat Efficiency	92 %
Power	230 V - 50 Hz
Total weight	342 kg
Boiler Water Capacity	70 Lt



**+**  
**Optional**  
**pellet storage**  
**300 kg**



# T-17

A

## CENTRAL HEATING SYSTEM WITH SOLID FUEL



- Easy-to-replace grate
- Equal heat distribution
- Silent operation
- High efficiency fuel burning
- Wide loading door
- Easy-to-ash discharge
- Thermostat controlled circulation pump
- Pump starts at the set temperature
- Fuel loading door with high temperature resistant glass
- Easy-to-replace firebricks
- No radiator needed
- Stove top used for cooking
- Possibility to provide sanitary hot water
- The water temperature is at the rate of 75% comparing to the boiler temperature, the flow rate is 6lt/min
- Possibility to connect closed expansion tank with a thermostatic safety valve

Please use "Power Supply" against Power Cuts, "Anti-Freeze"(1/4) against corrosion and for better performance.

T-17	DEPTH (MM)	WIDTH (MM)	HEIGHT (MM)
	560	550	940

Fuel Type	Solid Fuel
Heat Power (KW) (For Wood)	11 KW + 3,5 KW
Heat Power (KW) (For Coal)	14 KW + 3,5 KW
Boiler input	1"
Operation pressure	1 - 2 BAR
Flue - pipe diameter	130 mm
Fuel Loading Capacity	15 kg
Heat Efficiency	82%
Power	230 V - 50 Hz
Total weight	114 kg
Boiler Water Capacity	20 Lt





# T-21

A

## CENTRAL HEATING SYSTEM WITH SOLID FUEL



- Built-in pump, expansion tank and thermostatic safety valve
- Closed installation system
- Easy-to-replace grate
- Equal heat distribution
- High efficiency fuel burning
- Wide loading door
- Easy-to-ash
- Thermostat controlled circulation pump
- Pump starts at the set temperature
- Three- sided glasses for full view
- Easy-to-replace firebricks
- No radiator needed
- Stove top used for cooking
- Possibility to provide sanitary hot water
- The water temperature is at the rate of 75% comparing to the boiler temperature, the flow rate is 6lt/min)

Possibility for built-in power source that works with 24 V pump in between 12-24 hours.

T-21	DEPTH (MM)	WIDTH (MM)	HEIGHT (MM)
	720	560	1250

Fuel Type	Solid Fuel
Heat Power (KW) (For Wood)	18 KW
Boiler input	1"
Operation pressure	1 - 2 BAR
Flue - pipe diameter	150 mm
Fuel Loading Capacity	20 kg
Heat Efficiency	80%
Power	230 V - 50 Hz
Total weight	225 kg
Boiler Water Capacity	30 Lt



# T-22

A

## CENTRAL HEATING SYSTEM WITH SOLID FUEL



- Easy-to-replace grate
- Equal heat distribution
- Silent operation
- High efficiency fuel burning
- Wide loading door
- Easy-to-ash discharge
- Thermostat controlled circulation pump
- Pump starts at the set temperature
- Fuel loading door with high temperature resistant glass
- Easy-to-replace firebricks
- No radiator needed
- Stove top used for cooking
- Possibility to provide sanitary hot water
- The water temperature is at the rate of 75% comparing to the boiler temperature, the flow rate is 6lt/min
- Possibility to connect closed expansion tank with a thermostatic safety valve

Please use "Power Supply" against Power Cuts and "Anti-Freeze"(1/4) against corrosion and for better performance.

T-22	DEPTH (MM)	WIDTH (MM)	HEIGHT (MM)
	550	1000	900

Fuel Type	Solid Fuel
Heat Power (KW) (For Wood)	10 KW + 4,5 KW
Heat Power (KW) (For Coal)	24 KW
Boiler input	1"
Operation pressure	1 - 2 BAR
Flue - pipe diameter	130/150 mm
Fuel Loading Capacity	15 kg
Heat Efficiency	80 %
Power	230 V - 50 Hz
Total weight	185 kg
Boiler Water Capacity	35 Lt



# T-22 PLUS

A

CENTRAL HEATING SYSTEM WITH SOLID FUEL



- Easy-to-replace grate
- Equal heat distribution
- Silent operation
- High efficiency fuel burning
- Wide loading door
- Easy-to-ash discharge
- Thermostat controlled circulation pump
- Pump starts at the set temperature
- Fuel loading door with high temperature resistant glass
- Easy-to-replace firebricks
- No radiator needed
- Stove top used for cooking
- Possibility to provide sanitary hot water
- The water temperature is at the rate of 75% comparing to the boiler temperature, the flow rate is 6lt/min
- Possibility to connect closed expansion tank with a thermostatic safety valve

Please use "Power Supply" against Power Cuts and "Anti-Freeze"(1/4) against corrosion and for better performance.

T-22 PLUS	DEPTH (MM)	WIDTH (MM)	HEIGHT (MM)
	570	1185	900

Fuel Type	Solid Fuel
Heat Power (KW) (For Wood)	13 KW + 4 KW
Heat Power (KW) (For Coal)	23 KW + 4 KW
Boiler input	1"
Operation pressure	1 - 2 BAR
Flue - pipe diameter	130/150 mm
Fuel Loading Capacity	15 kg
Heat Efficiency	80 %
Power	230 V - 50 Hz
Total weight	220 kg
Boiler Water Capacity	40 Lt





# T-25

A

## CENTRAL HEATING SYSTEM WITH SOLID FUEL



- Easy-to-replace grate
- Equal heat distribution
- Silent operation
- High efficiency fuel burning
- Wide loading door
- Easy-to-ash
- Thermostat controlled circulation pump
- Pump starts at the set temperature
- Fuel loading door with high temperature resistant glass
- Easy-to-replace firebricks
- No radiator needed
- Stove top used for cooking
- Optional: provide sanitary hot water
- The water temperature is at the rate of 75% comparing to the boiler temperature, the flow rate is 6lt/min
- Possibility to connect closed expansion tank with a thermostatic safety valve

Please use "Power Supply" against Power Cuts, "Anti-Freeze"(1/4) against corrosion and for better performance.



T-25	DEPTH (MM)	WIDTH (MM)	HEIGHT (MM)
	590	550	1060

Fuel Type	Solid Fuel
Heat Power (KW) (For Wood)	9 KW + 4,5 KW
Heat Power (KW) (For Coal)	19 KW + 6 KW
Boiler input	1"
Operation pressure	1 - 2 BAR
Flue - pipe diameter	130/150 mm
Fuel Loading Capacity	15 kg
Heat Efficiency	79 %
Power	230 V - 50 Hz
Total weight	186 kg
Boiler Water Capacity	37 Lt



# T-29

A

## CENTRAL HEATING SYSTEM WITH SOLID FUEL



- Easy-to-replace grate
- Equal heat distribution
- Silent operation
- High efficiency fuel burning
- Wide loading door
- Easy-to-ash
- Thermostat controlled circulation pump
- Pump starts at the set temperature
- Fuel loading door with high temperature resistant glass
- Easy-to-replace firebricks
- No radiator needed
- Stove top used for cooking
- Optional: provide sanitary hot water
- The water temperature is at the rate of 75% comparing to the boiler temperature, the flow rate is 6lt/min
- Possibility to connect closed expansion tank with a thermostatic safety valve

Please use "Power Supply" against Power Cuts, "Anti-Freeze"(1/4) against corrosion and for better performance.



T-29	DEPTH (MM)	WIDTH (MM)	HEIGHT (MM)
	590	550	1210

Fuel Type	Solid Fuel
Heat Power (KW) (For Wood)	15 KW + 3 KW
Heat Power (KW) (For Coal)	17,5 KW + 6 KW
Boiler input	1"
Operation pressure	1 - 2 BAR
Flue - pipe diameter	150 mm
Fuel Loading Capacity	20 kg
Heat Efficiency	80 %
Power	230 V - 50 Hz
Total weight	210 kg
Boiler Water Capacity	53 Lt





# TF-25

A

## CENTRAL HEATING SYSTEM WITH SOLID FUEL

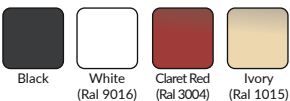


- Easy-to-replace grate
- Equal heat distribution
- Silent operation
- High efficiency fuel burning
- Wide loading door
- Easy-to-ash discharge
- Thermostat controlled circulation pump
- Pump starts at the set temperature
- Fuel loading door with high temperature resistant glass
- Easy-to-replace firebricks
- No radiator needed
- Stove top used for cooking
- Possibility to provide sanitary hot water
- The water temperature is at the rate of 75% comparing to the boiler temperature, the flow rate is 6lt/min
- Possibility to connect the closed expansion tank with a thermostatic safety valve

Please use "Power Supply" against Power Cuts,  
"Anti-Freeze"(1/4) against corrosion and for better performance.

TF-25	DEPTH (MM)	WIDTH (MM)	HEIGHT (MM)
	590	550	1060

Fuel Type	Solid Fuel
Heat Power (KW) (For Wood)	8,5 KW + 4 KW
Heat Power (KW) (For Coal)	25 KW + 3 KW
Boiler input	1"
Operation pressure	1 - 2 BAR
Flue - pipe diameter	130/150 mm
Fuel Loading Capacity	15 kg
Heat Efficiency	80 %
Power	230 V - 50 Hz
Total weight	178 kg
Boiler Water Capacity	60 Lt





# TS-05

SOLID FUEL STOVE

**NEW DESIGN**



TS-05	DEPTH (MM)	WIDTH (MM)	HEIGHT (MM)
	640	640	1242

Fuel Type	Solid Fuel
Heat Power (KW) (For Coal)	12 KW
Flue - Pipe diameter	130 - 150 mm
Fuel Loading Capacity	6 kg
Heat Efficiency	76 %
Total weight	121 kg



# TKS-12

SOLID FUEL STOVE

**NEW DESIGN**



- Fire-view from three sides
- Wide loading door
- Easy-to-use ashdischarge

TKS-12	DEPTH (MM)	WIDTH (MM)	HEIGHT (MM)
	505	600	960

Fuel Type	Solid Fuel
Heat Power (KW) (For Coal)	10 KW
Flue - Pipe diameter	130 - 150 mm
Fuel Loading Capacity	8 kg
Heat Efficiency	78 %
Total weight	122 kg



# TKS-15

SOLID FUEL STOVE

**NEW DESIGN**



- Fire-view from three sides
- Wide loading door
- Easy-to-use ashdischarge
- With oven

TKS-15	DEPTH (MM)	WIDTH (MM)	HEIGHT (MM)
	483	600	1200

Fuel Type	Solid Fuel
Heat Power (KW) (For Coal)	12 KW
Flue - Pipe diameter	150 mm
Fuel Loading Capacity	15 kg
Heat Efficiency	78 %
Total weight	134 kg





# TS-16

SOLID FUEL STOVE

**NEW DESIGN**



- Easy-to-ash discharge
- Wide loading door
- Easy-to-replace firebricks
- Top plate usable for cooking

TS-16	DEPTH (MM)	WIDTH (MM)	HEIGHT (MM)
	480	554	1110

Fuel Type	Solid Fuel
Heat Power (KW) (For Coal)	8 KW
Flue - Pipe diameter	130 mm
Fuel Loading Capacity	6 kg
Heat Efficiency	78 %
Total weight	70 kg



# TKS-18

## SOLID FUEL STOVE



- Easy-to-replace grate
- Equal heat distribution
- Silent operation
- High efficiency fuel burning
- Wide loading door
- Easy-to-ash discharge
- Fuel loading door with high temperature resistant glass
- Easy-to-replace firebricks
- Stove top used for cooking

TKS-18	DEPTH (MM)	WIDTH (MM)	HEIGHT (MM)
	550	1000	900

Fuel Type	Solid Fuel
Heat Power (KW) (For Coal)	10 KW
Flue - Pipe diameter	130 mm
Total weight	150 kg



# TKS-19

## SOLID FUEL STOVE



- Easy-to-ash discharge
- Wide loading door
- Easy-to-replace firebricks
- Top plate usable for cooking
- Also available with fan

TKS-19	DEPTH (MM)	WIDTH (MM)	HEIGHT (MM)
	585	550	1257
TKS-19 WITH FAN	694	550	1265

Fuel Type	Solid Fuel
Heat Power (KW)	12 KW
Flue - Pipe diameter	150 mm
Fuel Loading Capacity	10 kg
Weight	160 kg
TKS-19 WITH FAN	
Power	230 V - 50 Hz
Weight (with fan)	168 kg





# TSU-13

SOLID FUEL STOVE

**NEW DESIGN**



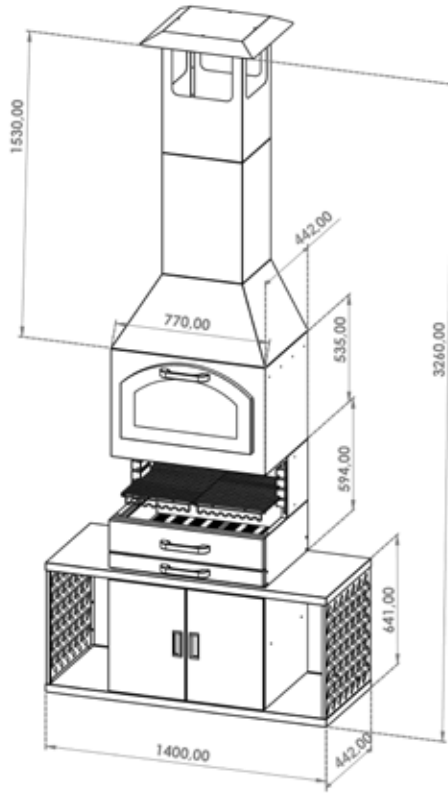
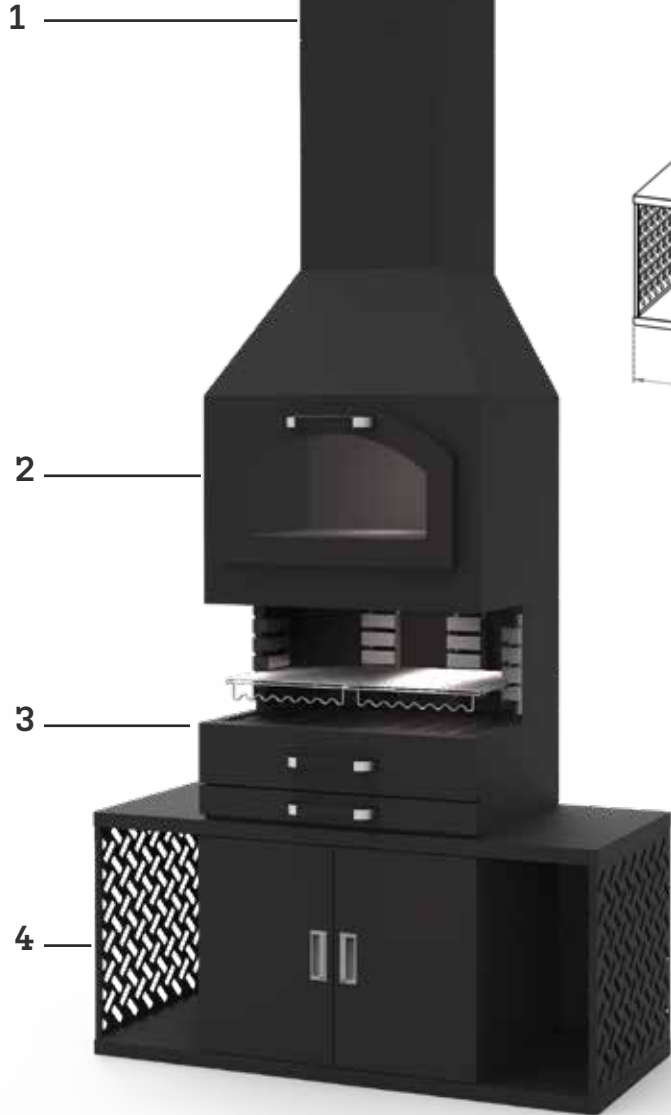
TUS-13	DEPTH (MM)	WIDTH (MM)	HEIGHT (MM)
	470	575	1050

Fuel Type	Solid Fuel
Heat Power (KW) (For Coal)	8 KW
Flue - Pipe diameter	150 mm
Fuel Loading Capacity	6 kg
Heat Efficiency	77 %
Total weight	95 kg



# TB-11

BARBECUE



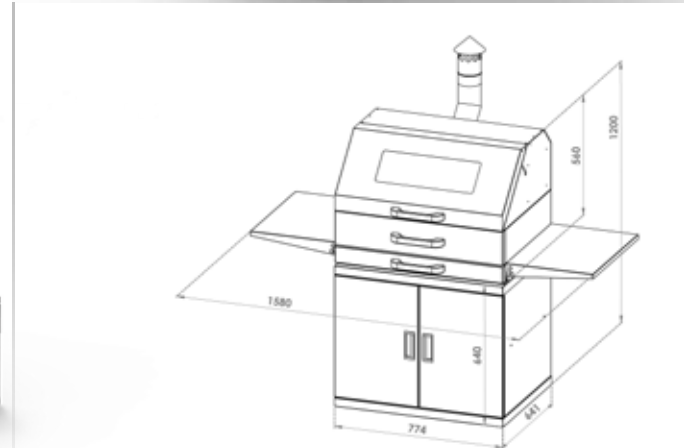
- Functional design and easy operation
- Enamel oven
- Grill racks
- Ashtray with drawers
- Cabinet with cover
- Smoke hood
- Durable flame grill
- Matte black fireproof paint

Independent from each other

- 1) Hood
- 2) Oven
- 3) Barbecue
- 4) Cabinet

# TB-12

BARBECUE

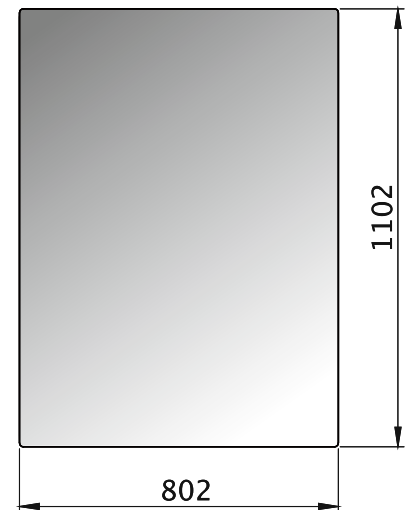
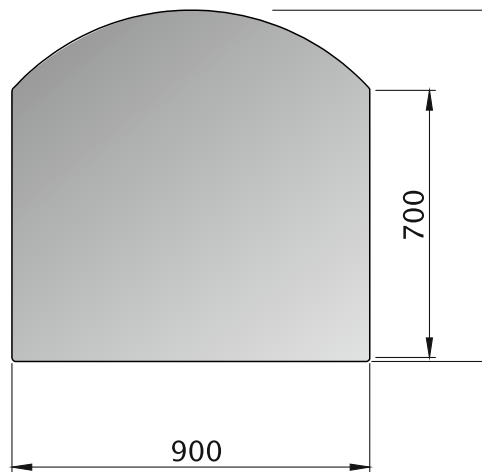
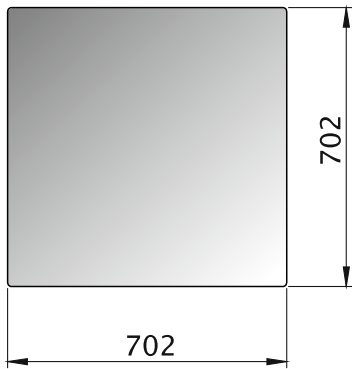


# TB-9

BARBECUE



## STOVE BASE



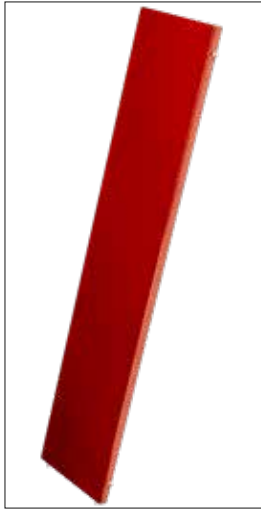


# TKP-01

# CHIMNEY HOUSING



Cover Plate



Cover Plate



This housing avoids kickback of wind and relates poisoning, used on chimney.



Cover Plate

# SPARE PARTS



T-30/T-40 Fan



Mechanical Thermostat



Expansion Tank



Power Source 1



Power Source 2



Pump & Electrical Control unit



Digital Display



Fire Brick



Circulation Pump



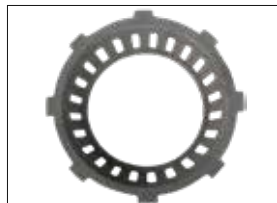
Circulation Pump 24V



Blowing Cast Iron



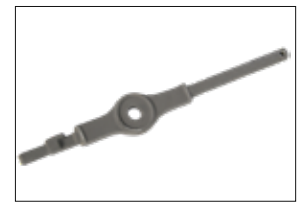
Turbo Cast Iron



Bowl



Grate



Rib



## ARAL MAKİNA MADENİ EŞYA SAN. TİC. LTD. ŞTİ.

Organize Sanayi Bölgesi  
8. Cadde No: 16 KAYSERİ / TURKEY

PHONE +90 352 321 28 12 | FAX +90 352 321 28 14 | E-MAIL teba@teba.com.tr

[www.teba.com.tr](http://www.teba.com.tr)

### BELGIUM STORE

CHAUSSEE DE FLEURUS NO:87RC  
6060 GİLLY BELGIUM

PHONE +32 493 54 11 46 | E-MAIL info@tebatherm.be

[www.tebatherm.be](http://www.tebatherm.be)

All information existing on that catalog includes the latest product data. Teba Therm reserves the right to make any modification on these product's data without prior notice.  
Teba Therm can not be hold responsible for Corrigenda and typographic errors.



BimSchV  
1 - 2