



Dauntless FlexBurn in Twilight enamel

## Dauntless



Fearless and resolute, this timeless beauty delivers steady overnight heat even on the fiercest of winter nights. Exclusive FlexBurn technology provides the option to burn with a catalyst for maximum efficiency. A cast-iron griddle top and optional cooking grill helps you connect around food and flame all year long.



Timeless cast iron styling with a furniture-quality finish



Convenient top load keeps smoke and ash contained and increases load capacity



Exclusive swing-out ash pan allows you to cleanly remove ashes, even when the stove is hot



Optional cooking grill conveniently sits under the cast iron griddle top to offer a versatile cooking surface

Peak BTU/hr Output <sup>1</sup>	45,500
Heating Capacity <sup>2</sup>	800 - 2,000 sq ft
Maximum Burn Time	11 hrs
Efficiency <sup>3</sup>	LHV: 83% (Catalytic) 82% (Non-Catalytic) HHV: 78% (Catalytic) 77% (Non-Catalytic)
Emissions	1.2 g/hr (Catalytic) 1.1 g/hr (Non-Catalytic)
Firebox Capacity	1.8 cu ft
Recommended Log Length	16"
Actual Weight	390 lbs

### STOVE FINISHES



CLASSIC BLACK

BORDEAUX ENAMEL

MAJOLICA BROWN ENAMEL

TWILIGHT ENAMEL

\*\*Up to \$2,000 annually for qualifying purchase.  
EPA and Tax Credit Certified save money and be kind to the environment with industry leading technology and high efficiency

# FlexBurn® Technology

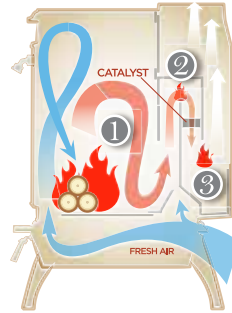
Save money and use less wood with a catalyst. Increase your heating efficiency and lower your stove emissions, ensuring you get the most out of each load of wood.



**START UP**  
Primary burn started and fueled by fresh air with the bypass damper open

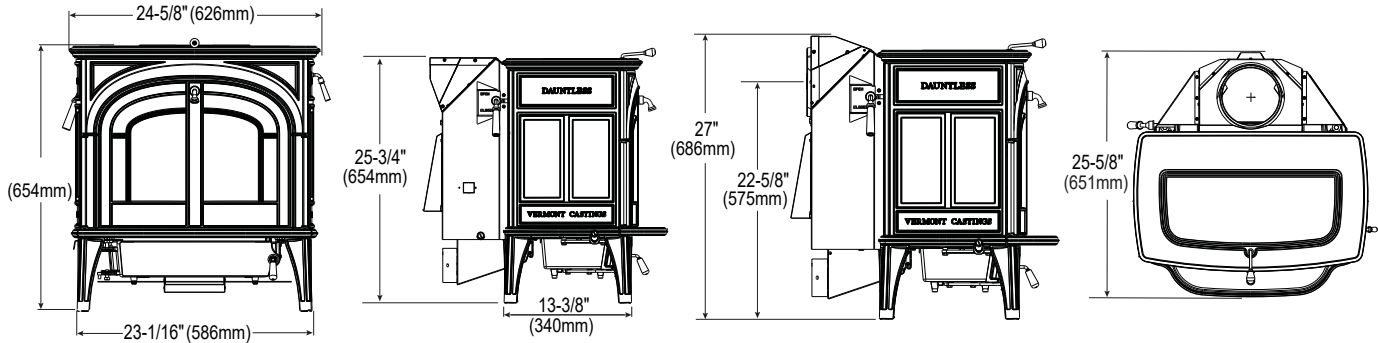


**2-STAGE BURN**  
Damper is closed once stove and flue are sufficiently hot, forcing smoke into the secondary combustion chamber where additional air feeds combustion of gases for secondary burn

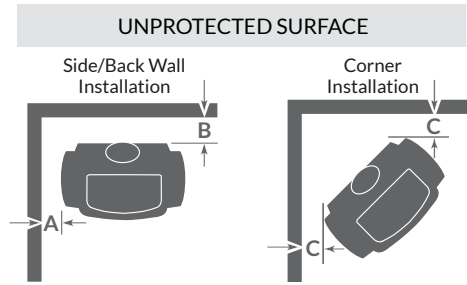


**3-STAGE BURN**  
With catalyst in place, increased efficiency and lower emissions result from a tertiary burning of gases and CO, and enables combustion at much lower temperatures, extending burn times and saving on fuel costs

## Specifications



6\"/>		
	A	B
Top exit, single wall pipe	14\"/>	



Standard floor protection: 35-3/8\"/>

## Options & Accessories



Scan to learn more about our wood stoves



For full warranty details, visit [www.forgenflame.com](http://www.forgenflame.com).

1: BTU/hr output: 1st hour output uses high burn efficiency number. BTU/hr output will vary depending on the type of fuel used and moisture content of the fuel. 2: See your local Vermont Castings authorized dealer for help in determining the product that best suits your heating needs based on climate and home efficiency. 3: Weighted average LHV (Low Heating Value) efficiency. HHV (High Heat Value) efficiency used to qualify products for Tax Credit beginning in 2023.

**IMPORTANT - READ BEFORE YOU INSTALL!** - Refer to the Owner/Installation Manual for complete clearance requirements and specifications. The images and descriptions in this brochure are provided to assist you in product selection only. Vermont Castings is a registered trademark of Hearth & Home Technologies. Product specifications and pricing subject to change without notice. Fireplace, stove and insert surfaces get extremely HOT and can cause burns if touched. Keep a safe distance away. To learn more visit [www.vermontcastings.com/fireplacesafety](http://www.vermontcastings.com/fireplacesafety). ©2023 Hearth & Home Technologies®. All rights reserved.



[FORGENFLAME.COM](http://FORGENFLAME.COM)