

# INSTALLATION INSTRUCTIONS

**INSTALLER:**

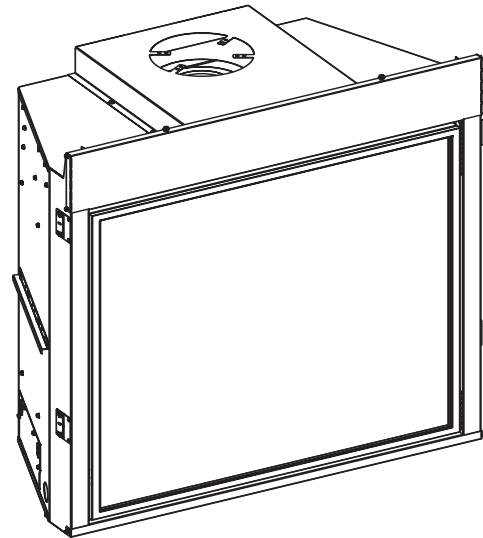
Leave this manual with the appliance.

**CONSUMER:**

Retain this manual for future reference.

**DVCP BURNER UPGRADE KIT**

**37970 - 37987**



**⚠ WARNING**

**FIRE OR EXPLOSION HAZARD**

Failure to follow safety warnings exactly could result in serious injury, death or property damage.

- Do not store or use gasoline or other flammable vapors and liquids in the vicinity of this or any other appliance.
- **WHAT TO DO IF YOU SMELL GAS**
  - Do not try to light any appliance.
  - Do not touch any electrical switch; do not use any phone in your building.
  - Leave the building immediately.
  - Immediately call your gas supplier from a neighbor's phone. Follow the gas supplier's instructions.
  - If you cannot reach your gas supplier, call the fire department.
- Installation and service must be performed by a qualified installer, service agency or the gas supplier.

This appliance may be installed in an aftermarket, permanently located, manufactured home (USA only) or mobile home, where not prohibited by state or local codes.

This appliance is only for use with the type of gas indicated on the rating plate. This appliance is not convertible for use with other gases, unless a certified kit is used.

**⚠ WARNING**



**HOT GLASS WILL CAUSE BURNS. DO NOT TOUCH GLASS UNTIL COOLED. NEVER ALLOW CHILDREN TO TOUCH GLASS.**

A barrier designed to reduce the risk of burns from the hot viewing glass is provided with this appliance and shall be installed for the protection of children and other at-risk individuals.

**NATIONAL FIREPLACE INSTITUTE**



**CERTIFIED**

[www.nficertified.org](http://www.nficertified.org)

We suggest that our gas hearth products be installed and serviced by professionals who are certified in the U.S. by the National Fireplace Institute® (NFI) as NFI Gas Specialists.

**GAS-FIRED**



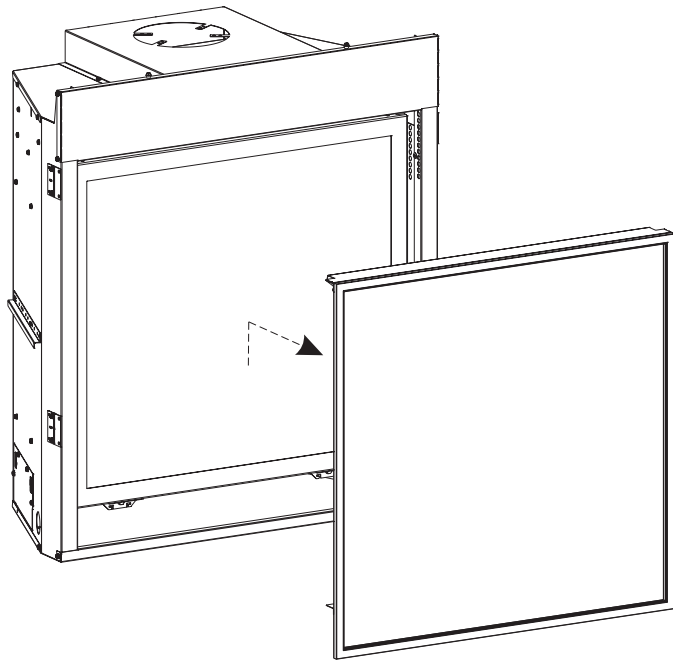
UL FILE NO. MH30033

This fireplace is design certified in accordance with American National Standard/CSA Standard ANSI Z21.88/CSA 2.33 and by Underwriters Laboratories as a Direct Vent Gas Fireplace Heater and shall be installed according to these instructions.

# BURNER UPGRADE KIT INSTALLATION

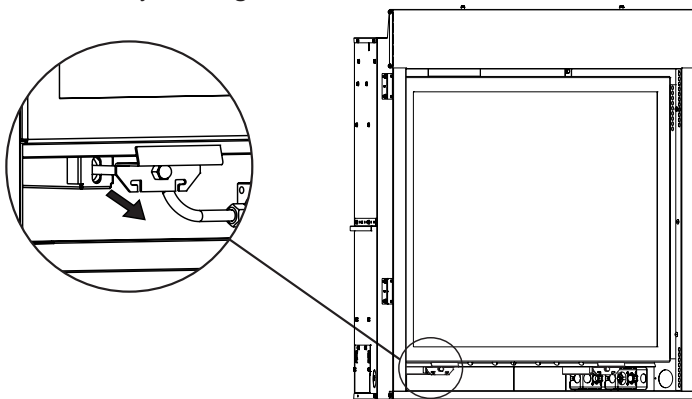
**NOTICE: Do not handle barrier screen or door with your bare hands! (Always Wear Gloves)**

1. Turn off power. Lift barrier screen and pull away from the unit. **See Figure 1.**



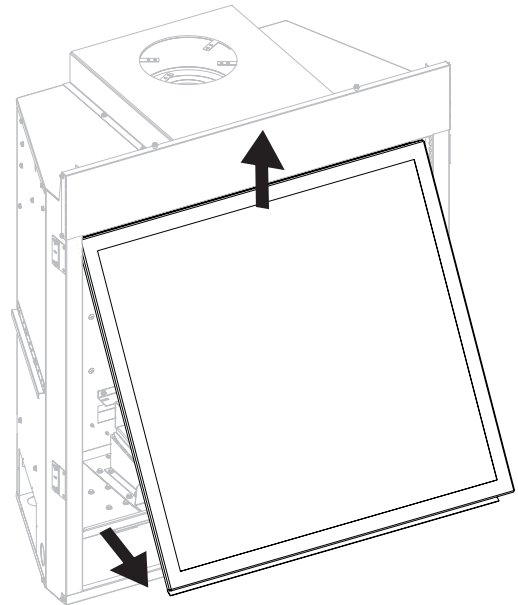
**Figure 1**

2. Pull outward to release both latches at bottom of firebox assembly. **See Figure 2.**



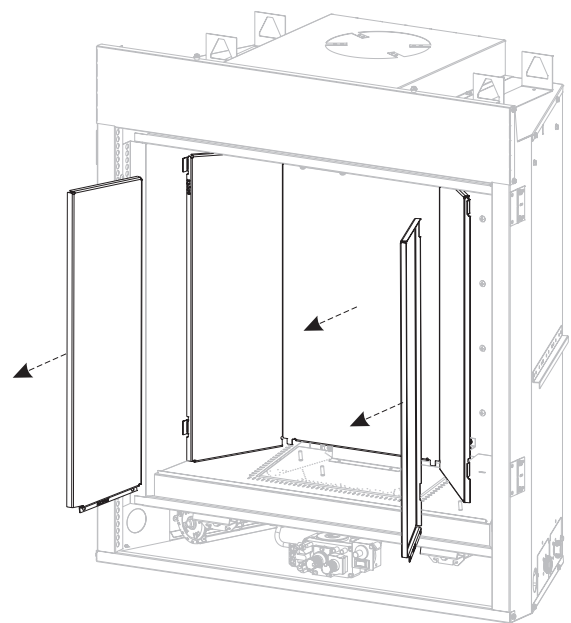
**Figure 2**

3. Disengage Glass Frame by pulling outward in a swinging motion. Place Glass Frame aside in a safe out-of-the-way location. **See Figure 3.**



**Figure 3**

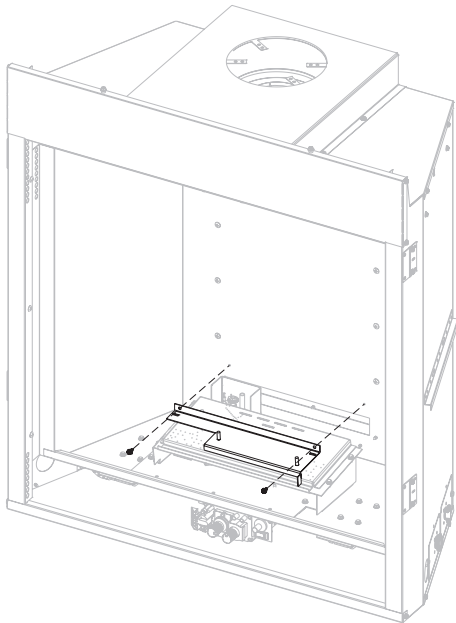
4. Remove log set and decorative media. Remove brackets and liners if installed. Retain bracket and screws for reassembly. **See Figure 4. (Reflective liners shown)**



**Figure 4**

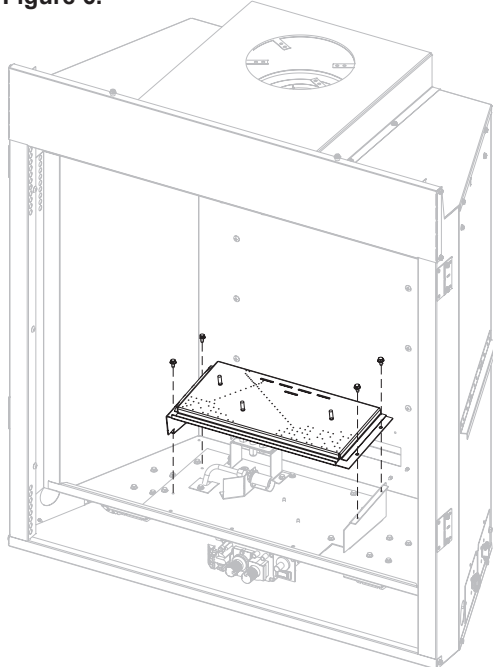
# BURNER UPGRADE KIT INSTALLATION (CONT'D)

- Remove log support by removing the two screws securing the metal plate to log support. Retain log support and screws for reassembly. **See Figure 5.**



**Figure 5**

- Remove the four screws securing burner and slide to right then lift burner off. Retain burner and screws for reassembly. **See Figure 6.**

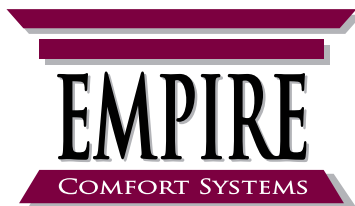


**Figure 6**

- Remove air shutter or burner using 1/4-inch bit. Keep screw for reassembly.
- Place air shutter from step 7 onto new burner using the matching size drill bit. Set the spacing as shown in table below. Insert screw from step 7.

NATURAL GAS SETTINGS	
DVCP32	3/16 inch
DVCP36	3/16 inch
DVCP42	1/8 inch
LP GAS SETTINGS	
DVCP32	Full Open
DVCP36	Full Open
DVCP42	Full Open

- Reinstall the new burner and four screws removed in step 6. **See Figure 6.**
- Reinstall the log support and secure it with metal plate and two screws removed in step 5. **See Figure 5.**
- Add new burner cover.
- Add new liner and bracket if removed in step 4. **See Figure 4.**
- Add log set and decorative media.
- Turn on power.
- Reinstall the glass frame removed in steps 2 and 3. **See Figures 2 and 3.**
- Replace barrier screen removed in step 1. **See Figure 1.**



**Empire Comfort Systems Inc.  
Belleville, IL**

If you have a general question  
about our products, please e-mail  
us at [info@empirecomfort.com](mailto:info@empirecomfort.com).

If you have a service or repair  
question, please contact your dealer.

SINCE 1932

**[www.empirecomfort.com](http://www.empirecomfort.com)**