

CUISINIERE LX

HIGH EFFICIENCY

CERTIFIED AND TESTED ACCORDING TO
CAN / CSA STD B415.1-10
ULC S627.00
UL 1482-7



Warmth from the heart of J.A.ROBY INC.

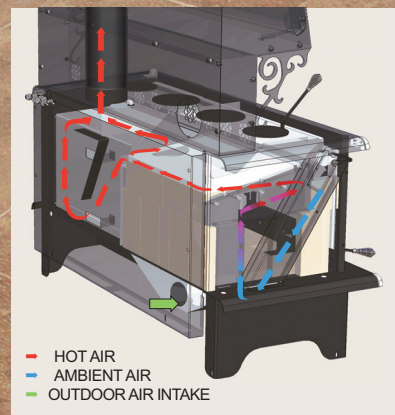


1.3 g/h
LHV 78.6 %

DECORATIVE CHROMED TOP AND MIRROR



LID LIFTER



— HOT AIR
— AMBIENT AIR
— OUTDOOR AIR INTAKE

BACK TO BASICS WITH ACTUAL LOOK THANKS TO THIS WOODBURNING COOKSTOVE!

Recommended surface (Sq.ft)	1 500 - 2 300	FOOD WARMER :
Exterior dimensions (with food warmer)	50 ³ / ₄ " W X 55" H X 28" D	46 ¹ / ₄ " W X 10" H X 12" D
Firebox dimensions	19" W X 12 ¹ / ₄ " H X 19 ³ / ₄ " D	Door opening
Door opening	16 ¹ / ₄ " W X 10 ¹ / ₂ " H	39 ¹ / ₂ " W X 6" H
Evacuation pipe	6"	
Floor to ceiling clearance	84"	OVEN :
Maximum heat output (dry cordwood)	95 000 BTU /h	17" W X 14" H X 19 " D
Maximum heat output (wood test)	53 935 BTU /h	Door opening :
Weight	580 lbs	17" W X 12 ¹ / ₂ " H
Log length	19"	OPTION :
Back clearance	12"	Decorative chromed top and mirror
Lateral and corner	18"	Black enameled cast iron cooking plate.
Firebox capacity	2.87 ft ³	
Soot drawer under oven		

LIMITED LIFE WARRANTY

MANUFACTURED
IN CANADA



Distributed by: